

Data sheet

Liquid Level Sensor

Type AKS 4100U

AKS 4100U - Cable Version



AKS 4100U - Coaxial Version



The AKS 4100U liquid level sensor is designed specifically to measure liquid levels in a wide range of refrigeration applications.

The AKS 4100U liquid level sensor is based on a proven technology called Time Domain Reflectometry (TDR) or Guided Micro Wave.

AKS 4100U liquid level sensor can be used to measure the liquid level of many different refrigerants in vessels, accumulators, receivers, standpipes, etc.

The electrical output is a 2-wired, loop powered 4 – 20 mA output signal, which is proportional to the refrigerant liquid level.

AKS 4100U in a cable version is suitable for HCFC, Non flammable HFC and R717 (Ammonia), and differing lengths from 800 mm / 31.5 in. and up to 5000 mm / 197 in..

The coaxial version of AKS 4100/4100U is designed for use with R744 (CO₂), HCFC, Non flammable HFC and R717 (Ammonia).

The AKS 4100U coaxial version should always be used for marine applications for all refrigerant types.

The AKS 4100U cable version should NOT be used for CO₂ or marine applications.

Dust, foam, vapour, agitated surfaces, boiling surfaces, changes in density or in the dielectric constant, ϵ_r , for the liquid have no influence on the AKS 4100U performance.

Oil accumulated in the bottom of a standpipe will not disturb the liquid level signal and it is not necessary to remove AKS 4100U for cleaning after oil has been drained out of the standpipe.

Features

- One product covering several probe lengths (cable version)
- A single product for all commonly used refrigerants (cable version)
- Cable version requires less top-end clearance for installation and service
- Proven operation with all refrigerants in combination with oil.
- No need to clean cable version when fully covered by oil.
- The cable version is very compact and easy to handle, ship, install and use with different lengths and refrigerants
- Changes of the liquid dielectric constant (ϵ_r) do not affect operation.
- 5000 mm / 197 in. probe length with cable version
- 2-wire loop powered; no separate transformer needed.

Please Note:

AKS 4100U can be connected directly to Danfoss EKE 347 liquid level controller and thus be powered from EKE 347.

If used together with Danfoss EKC 347 liquid level controller, a 14 – 30 V DC supply is required.

- Multi language HMI. Level and setting readout in mm,cm,m (ft, in.)

Language HMI versions:

- English (default), German, French, Spanish
- English (default), Japanese, Chinese Russian

For further details regarding mechanical and electrical installation please refer to the product installation guides DKRCI.PI.SC0.D (CABLE version), DKRCI.PI.SC0.E (COAXIAL D14 version) and DKRCI.PI.SC0.H1/DKRCI.PI.SC0.J1 (COAXIAL D22 version).

Contents	Page
Features.....	1
Product concept	
CABLE version.....	3
Cable version.....	3
Optional HMI.....	5
Measuring principle.....	6
Main technical data.....	6
Measuring range:	
CABLE version.....	7
COAXIAL D14 version.....	8
COAXIAL D22 version.....	8
Ordering AKS 4100U.....	9
Dimensions and weights.....	10
Technical data.....	11
Quick setup:	
CABLE version.....	13
COAXIAL version.....	14
Forcing mA output.....	16
Entering refrigerant dielectric gas constant.....	17
Saturated vapour dielectric constant.....	18
How to change the language setting (Default: English).....	19
Reset to factory setting.....	19

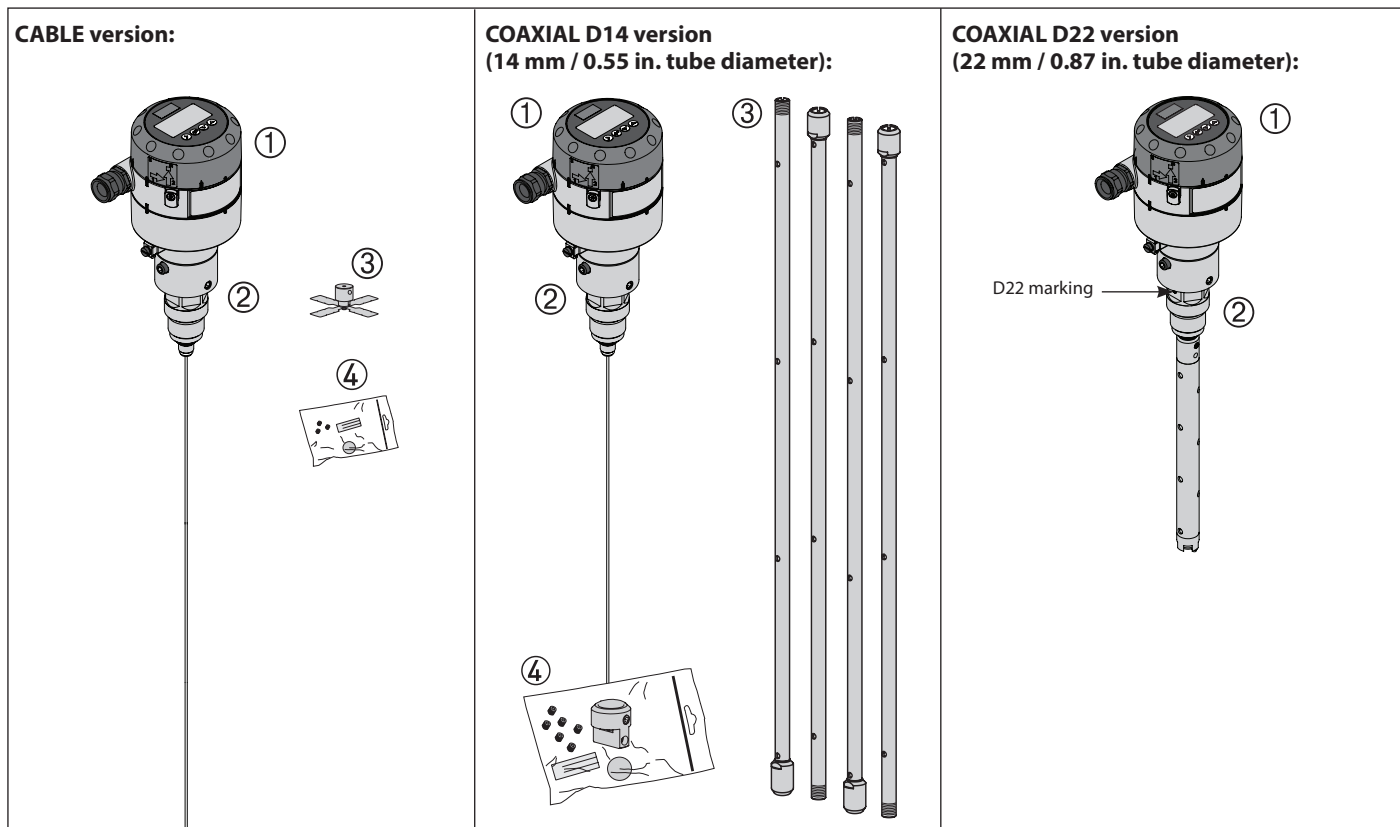
Product concept

AKS 4100U is available in two different versions:

- Cable version
- Coaxial version

Both Cable and Coaxial versions are available with mechanical process connection:

- AKS 4100U: 3/4 in. NPT



Cable version

Cable version

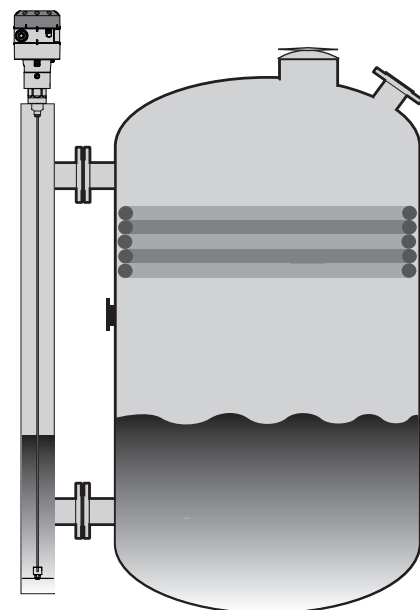
The cable version consists of:

- ① Signal converter, which can be supplied with or without HMI
- ② Mechanical process connection with 5 m / 197 in. \varnothing 2 mm / 0.08 stainless cable
- ③ Counterweight
- ④ Accessory bag comprising:
 - 3 mm set screws
 - Red cover to protect mechanical process connection ② prior to mounting signal converter.
 - Setting label.

With the cable version it is possible to adapt the AKS 4100U to any possible length in the range of 800 mm / 31.5 in. to 5000 mm / 196.9 in.

Cable version can be used in R717 / NH₃, HCFC and HFC (er, liquid > 5.6).

AKS 4100U cable version must ALWAYS be installed in a level column 2 in. to 4 in. in size.



Coaxial version
Coaxial D14 version (see page 3)

The Coaxial version consists of:

- ① Signal Converter (with or without HMI)
- ② Mechanical process connection with 5 m / 197 in., Ø2 mm / 0.08 stainless wire
- ③ Tube(s) depending on required length
- ④ Accessory bag comprising:
 End Connector (incl. 3 mm / 0.12 in. set screws.)
 3 mm / 0.12 in. set screws (1 set screw pr. tube)
 Red cover to protect mechanical process connection ②, before Signal Converter is mounted.
 Setting label.

Coaxial D22 version (see page 3)

The Coaxial D22 version consists of:

- ① Signal Converter (with or without HMI)
- ② Mechanical process connection 280 mm / 11 in., 8 mm / 0.3 in. inner rod.

The coaxial version is mandatory for use in:

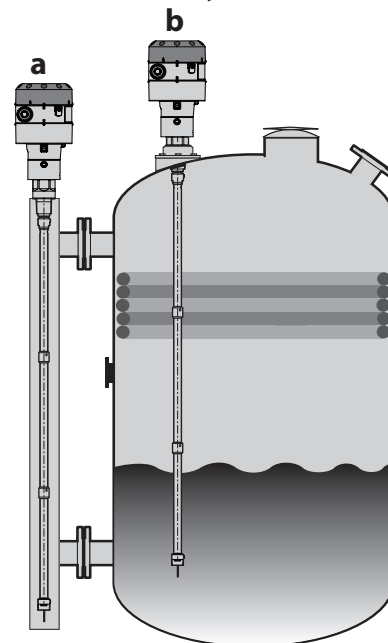
- R744 / CO₂ (er, liquid > 1.3).
- Marine applications

The coaxial version can also be used in the refrigerants:

 R717 / NH₃, HCFC and HFC.

The coaxial version is available in the following probe lengths:

Danfoss type	Tube diameter		Type selection in HMI	Thread
AKS 4100U, 11.0 in.	22 mm	0.87 in.	D22	¾ in. NPT
AKS 4100U, 19.2 in.	14 mm	0.55 in.	D14	¾ in. NPT
AKS 4100U, 30 in.	14 mm	0.55 in.	D14	¾ in. NPT
AKS 4100U, 45 in.	14 mm	0.55 in.	D14	¾ in. NPT
AKS 4100U, 55 in.	14 mm	0.55 in.	D14	¾ in. NPT
AKS 4100U, 65 in.	14 mm	0.55 in.	D14	¾ in. NPT
AKS 4100U, 85 in.	14 mm	0.55 in.	D14	¾ in. NPT

AKS 4100U, Coaxial can be installed in a level column (a) or directly in a vessel (b).


Optional HMI

The optional HMI Service/Display unit is used for commissioning and quick on-site setup and is easily mounted on the AKS 4100U.

The service unit supports multiple languages in both SI and US units.

① 4 – 20 mA output displayed as bar graph and in percentage [%]
 ② Measurement name (in this example, DISTANCE)
 ③ Device tag name
 ④ Measurement reading and unit
 ⑤ Device status (markers)
Marker 1, 2 and 3 (Error)
 Hardware problem; the Signal Converter hardware is defective. Contact Danfoss.
Marker 4 and 5 (Notification)
 Depending on the level, the marker is ON or OFF. Used for Danfoss service information only.
 ⑥ Keypad buttons
 ⑦ Flashing star indicating unit in operation.

Enter menu system
 Enter QUICK SETUP

Unit change at distance/level readout:
 m, cm, mm, in, ft

Change between:
 Distance*
 Level**
 Output (%)***
 Output (mA)****

* DISTANCE is a display option.
 If the display is set to "DISTANCE" the displayed value will be the distance from the Reference point to the top surface of the liquid refrigerant (see pages 7 and 8).

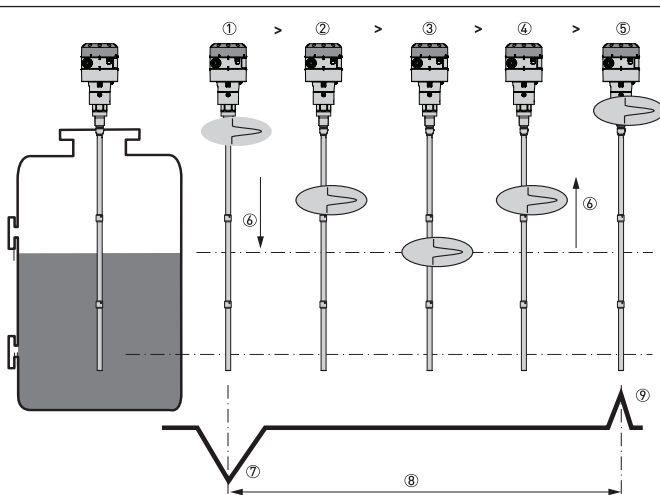
** LEVEL is display option.
 If the display is set to "LEVEL" then the value displayed will be:
 PROBE LENGTH (entered in QUICK SETUP)
 – DISTANCE (see pages 7 and 8)

***OUTPUT (%) is display option.
 Will represent the level of refrigerant, in percent, scaled (entered in QUICK SETUP) according to: SCALE 4 mA (0%), SCALE 20 mA (100%) (see pages 7 and 8).

**** OUTPUT I (mA) is display option.
 Will represent the level of refrigerant, in 4 – 20 milliamperes, scaled (entered in QUICK SETUP) according to: SCALE 4 mA (4 mA), SCALE 20 mA (20 mA) (see pages 7 and 8).

**Measuring principle
(Cable and Coaxial)**

1. The electromagnetic (EM) pulse is transmitted by the signal converter
2. The pulse goes down the probe at the speed of light in air, V1
3. The pulse is reflected
4. The pulse goes up the probe at speed, V1
5. The converter receives the pulse and records the signal
6. The EM pulse moves at speed, V1
7. Transmitted EM pulse
8. Half of this time is equivalent to the distance from the reference point of the device (the flange facing) to the surface of the product
9. Received EM pulse



The AKS 4100U electronic converter emits low-intensity, high frequency electromagnetic pulses with a width of approximately 1 nanosecond, which travel at the speed of light along the probe (wire or coaxial cable) down to the liquid surface.

The pulses are reflected by the liquid surface, guided back along the probe, and received and analysed by the AKS 4100U electronic converter and then converted into a liquid level reading. This method is called time domain reflectometry (TDR) or guided microwave.

The dielectric constant, ϵ_r , of the liquid is a key parameter and has a direct impact on the degree of reflection of the high frequency electromagnetic pulses. Liquids with high ϵ_r values, such as ammonia, produce strong reflections, while liquids with low ϵ_r values, such as CO₂, produce weak reflections.

As long as the ϵ_r value of the liquid refrigerant is higher than 1.2, AKS 4100U can detect the liquid level and level measurement accuracy is not affected.

If the temperature condition in the standpipe/vessel is known, a constant (dielectric constant of the refrigerant gas) can be entered (parameter 2.5.3 GAS EPS.R), in order to obtain improved Top and Bottom Dead Zone values.

Refer to pages 7 to 8 for Measuring range of AKS 4100U - CABLE version and COAXIAL version.

For details of gas constant values for different temperatures and refrigerants plus the procedure for entering these via the HMI, refer to pages 17 to 18.

Main technical data
(see a complete list of all technical data on page 11)

Supply Voltage
14 – 30 V DC. Min / Max. Value for an output of 22 mA at the terminal.

Ambient temperature supply voltage limitations:
-40 – 80 °C / -40 – 176 °F : 16 – 30 V DC
-20 – 80 °C / -4 – 176 °F : 14 – 30 V DC

Load
RL [Ω] ≤ ((Uext - 14 V) / 20 mA).
– Default (Error output set to 3.6 mA)
RL [Ω] ≤ ((Uext - 14 V) / 22 mA).
– (Error output set to 22 mA)

Cable gland
AKS 4100 PG 13, M20×1.5 ;
(cable diameter: 6 – 8 mm / 0.24 – 0.31in.
AKS 4100U ½ in. NPT

Refrigerant temperature
-60 – 100 °C / -76 – 212 °F

Ambient temperature
-40 – 80 °C / -40 – 176 °F
For HMI : -20 – 60 °C / -4 – 140 °F

Process pressure
-1 – 100 barg / -14.5 – 1450 psig

Terminals (spring loaded)
0.5 – 1.5 mm² (~20-15 AWG)

Enclosure:
IP 66/67 (~NEMA type 4X)

Mechanical connection
Cable version / Coaxial version:
AKS 4100U: ¾ in. NPT

Refrigerants ¹⁾
The listed refrigerants are qualified and approved by Danfoss
R717 / NH₃ -40 – 50 °C / -40 – 122 °F
R744 / CO₂ -50 – 15 °C / -58 – 59 °F
HCFC: R22 -50 – 48 °C / -58 – 118 °F
HFC: R404A -50 – 15 °C / -58 – 59 °F
R410A -50 – 15 °C / -58 – 59 °F
R134A -40 – 50 °C / -40 – 122 °F

The listed refrigerants may be used in the complete temperature range of AKS 4100U, however, the accuracy may be affected if the above listed temperature range is exceeded.

Other refrigerants within the groups of HCFC and HFC can be detected and measured if the following conditions are fulfilled:

Reference conditions
Dielectric constant
Cable version can be used in R717 / NH₃, HCFC and HFC (ϵ_r , liquid > 5.6).

The coaxial version is mandatory for use in:
- R744 / CO₂ (ϵ_r , liquid > 1.3).
- Marine applications.

The coaxial version can also be used in the refrigerants: R717 / NH₃, HCFC and HFC.

¹⁾ AKS 4100U Coaxial 11 in are only released for R717/NH₃

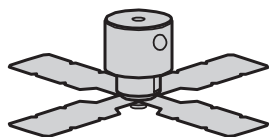
Measuring range of AKS 4100U - CABLE version

Bottom deadzone values based on the factory setting of dielectric constant

Refrigerant	Probe length range		Bottom dead zone	
	[mm]	[in.]	[mm]	[in.]
Ammonia, HFC, HCFC	800	31.5	115	4.2
	801 – 999	31.5 – 39	120	4.7
	1000 – 1999	39 – 79	150	5.9
	2000 – 2999	79 – 118	180	7.1
	3000 – 3999	118 – 157	210	8.3
	4000 – 5000	157 – 197	240	9.4

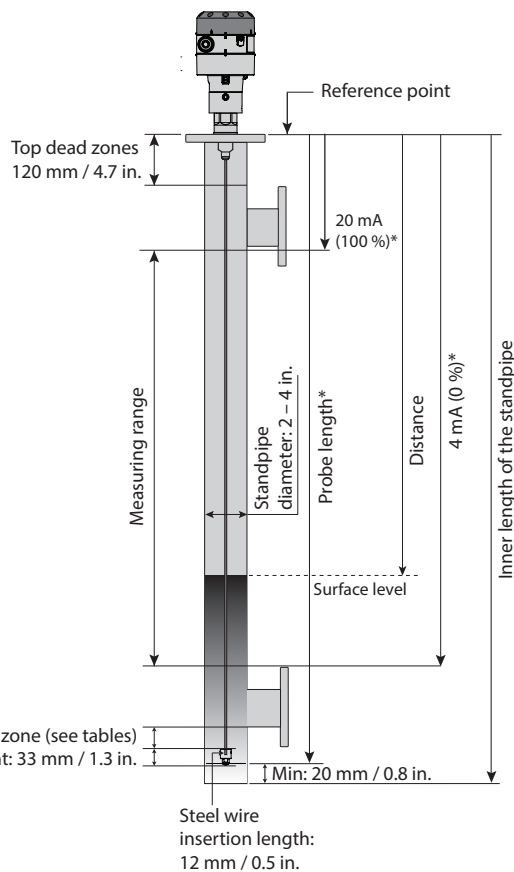
Improved Bottom dead zone values after the adjustment of dielectric constant

Refrigerant	Probe length range		Bottom dead zone	
	[mm]	[in.]	[mm]	[in.]
Ammonia, HFC, HCFC	800 – 5000	31.5 – 197	90	3.5



Bottom dead zone (see tables)
Counterweight: 33 mm / 1.3 in.

Danfoss
M84H0017_1



* Values to be entered into HMI Quick Setup menu and recorded on the setting label. Stick the setting label onto the Signal Converter either inside or outside.

Measuring range of AKS 4100U - COAXIAL D14 version

Please note: It is mandatory to input dielectric constant for CO₂ applications.

AKS 4100U

Dielectric Constant ϵ_r always set during Quick Setup

Refrigerant	Probe Length [in.]	Bottom Dead Zone [in.]	Bottom Dead Zone [mm]
CO ₂	19.2	6.7	170
	30		
	45		
	55		
	85		

Factory setting

Refrigerant	Probe Length [in.]	Bottom Dead Zone [in.]	Bottom Dead Zone [mm]
Ammonia	19.2	3.73	95
	30	4.05	103
	45	4.50	114
	55	4.80	122
	65	5.10	130
85	5.70	145	

Improved Bottom dead zone values after the adjustment of dielectric constant

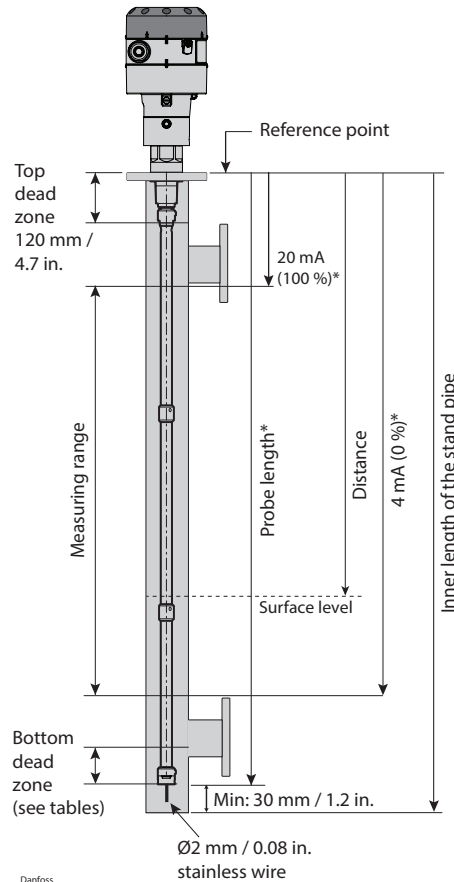
Refrigerant	Probe Length [in.]	Bottom Dead Zone [in.]	Bottom Dead Zone [mm]
Ammonia	19.2	3.1	80
	30		
	45		
	55		
	85		

Factory setting

Refrigerant	Probe Length [in.]	Bottom Dead Zone [in.]	Bottom Dead Zone [mm]
HCFC,HFC	19.2	4.52	115
	30	4.84	123
	45	5.29	134
	55	5.59	142
	65	5.89	150
85	6.49	165	

Improved Bottom dead zone values after the adjustment of dielectric constant

Refrigerant	Probe Length [in.]	Bottom Dead Zone [in.]	Bottom Dead Zone [mm]
HCFC,HFC	19.2	3.94	100
	30		
	45		
	55		
	85		



Danfoss M84H0026_1

* Values to be entered into HMI Quick Setup menu and recorded on the setting label. Stick the setting label onto the Signal Converter either inside or outside.

Measuring range of AKS 4100U - COAXIAL D22 version

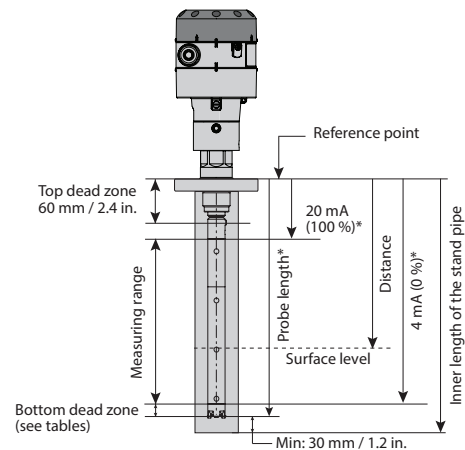
AKS 4100U

Factory setting

Refrigerant	Probe Length [in.]	Bottom Dead Zone [in.]	Bottom Dead Zone [mm]
Ammonia	11.0	1.9	48

Improved Bottom dead zone values after the adjustment of dielectric constant

Refrigerant	Probe Length [in.]	Bottom Dead Zone [in.]	Bottom Dead Zone [mm]
Ammonia	11.0	1.6	40



* Values to be entered into HMI Quick Setup menu and recorded on the setting label. Stick the setting label onto the Signal Converter either inside or outside.

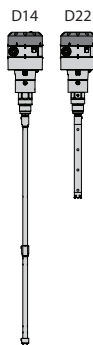
Ordering AKS 4100U

Cable version - AKS 4100U



Description	Code number with HMI
AKS 4100U with 196 in. insertion cable length which can be trimmed to desired length during installation	084H4521

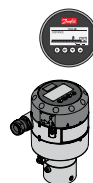
Coaxial version - 4100U (available in predefined lengths)



Description	Probe length		Code number with HMI
	mm	in.	
AKS 4100U - Coaxial D22 version with 3/4 in. NPT process connection ¹⁾		11	084H4536
AKS 4100U - Coaxial D14 version with 3/4 in. NPT process connection		19.2	084H4530
AKS 4100U - Coaxial D14 version with 3/4 in. NPT process connection		30	084H4531
AKS 4100U - Coaxial D14 version with 3/4 in. NPT process connection		45	084H4532
AKS 4100U - Coaxial D14 version with 3/4 in. NPT process connection		55	084H4533
AKS 4100U - Coaxial D14 version with 3/4 in. NPT process connection		65	084H4534
AKS 4100U - Coaxial D14 version with 3/4 in. NPT process connection		85	084H4535

¹⁾ AKS 4100U Coaxial 11 in. are only released for R717/NH₃

Accessories



Description	Code number
AKS 4100U HMI Display	084H4548
AKS 4100U Signal Converter + Metaglass with HMI, excluding cable gland	084H4555
AKS 4100U converter connecting cable (5 pcs.)	084H4557

Service kits



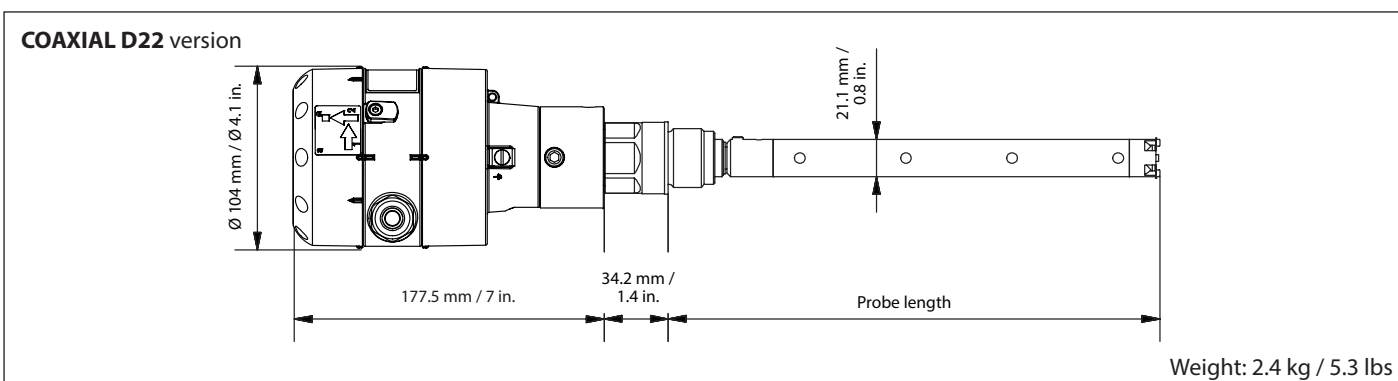
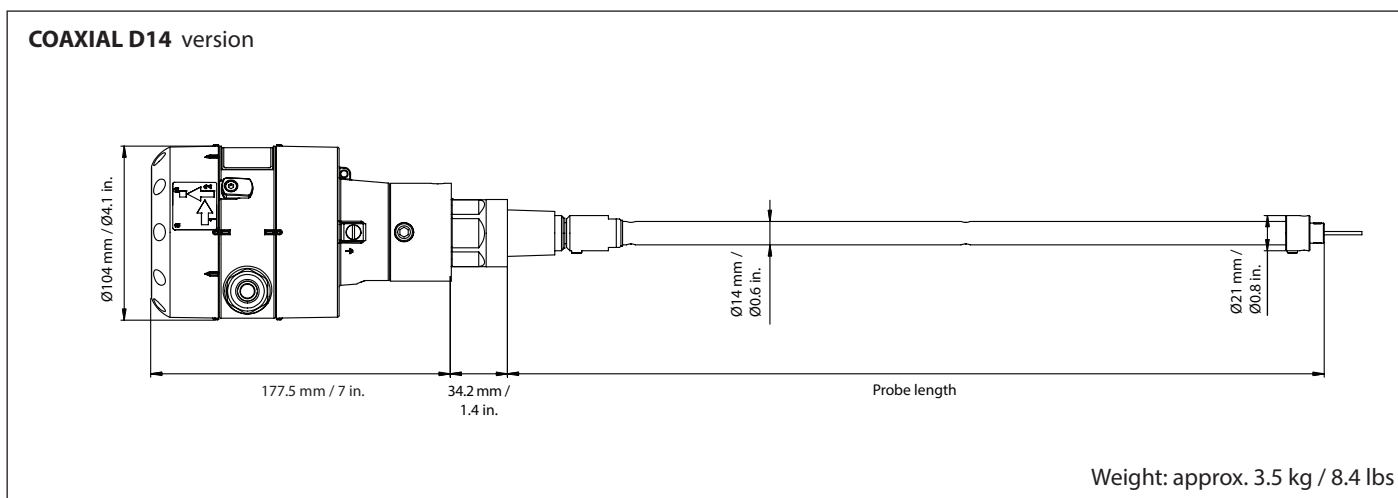
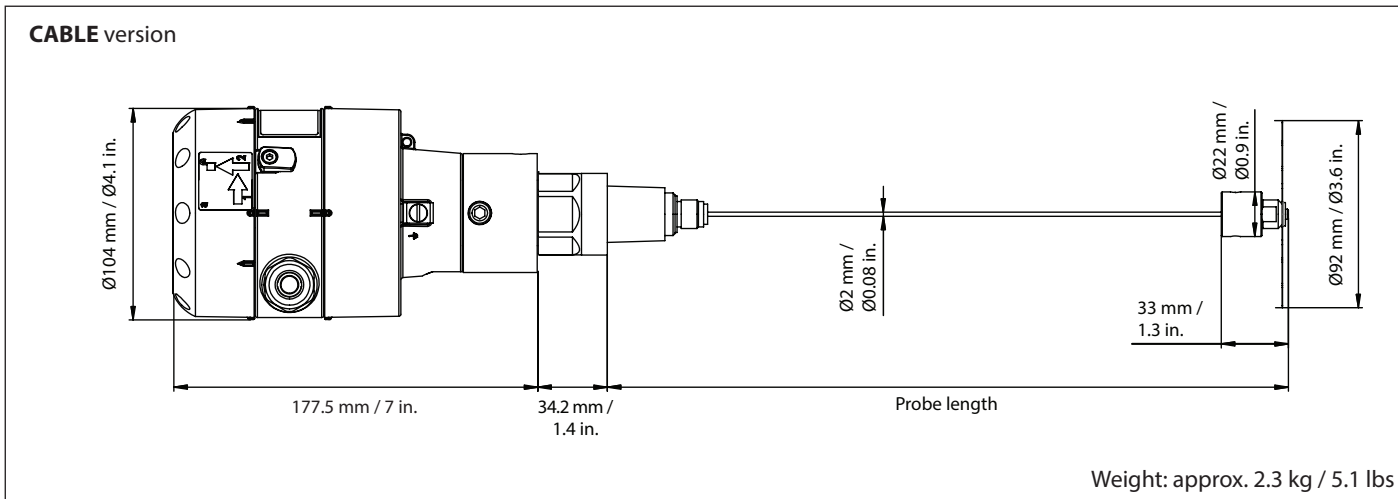
Description	Content	Code number
Cable and counterweight for AKS 4100U - CABLE version	Cable - 5 m / 197 in., Ø2 mm / Ø0.08 in.	084H4542
	Crimp	
	Counterweight	
End connector incl screws for AKS 4100U - COAXIAL D14 version	End connector (incl. 3 mm / 0.12 in set screws)	084H4549
Process connection, counterweight and 5 m / 197 in., Ø2 mm / Ø0.08 in. cable for AKS 4100U - CABLE and COAXIAL D14 version	3/4 in. NPT process connection	084H4546
	Counterweight	

Other spare parts



Description	Code number
AKS 4100U Coaxial tube. Tube length : 680 mm / 26.8 in.	084H4543
AKS 4100U blank top cover for signal converter	084H4544
Process connection AKS 4100U - Coaxial D22 - 3/4 in. NPT - 11 in.	084H4552

Dimensions and weights



Technical data
Measuring system

Measuring principle	2-wire loop-powered level transmitter; Time Domain Reflectometry (TDR)
Application range	Level measurement of liquid refrigerants. Approved refrigerants: Halogen Free / Environmentally friendly: R717 / NH ₃ , R744 / CO ₂ HCFC and non flammable HFC.
Primary measured value	Time between the emitted and received signal
Secondary measured value	Distance or level

Design

Options	Probe types <i>Cable</i> Mechanical process connection with 5 m / 197 in., Ø2 mm / 0.08 in. stainless cable: Mechanical thread on the mechanical process connection AKS 4100U: ¼ in. NPT <i>Coaxial D14</i> Mechanical process connection with 5 m / 197 in., Ø2 mm / 0.08 in. stainless cable and 14 mm / 0.55 in. outer stainless tube: Mechanical thread on the mechanical process connection AKS 4100U: ¼ in. NPT Stainless steel tubes supporting the available probe length <i>Coaxial D22</i> Mechanical process connection with in 22 mm / 0.87 in. outer stainless tube. 8 mm / 0.3 in. inner rod. Mechanical thread on the mechanical process connection AKS 4100U: ¼ in. NPT LCD display
Insertions (probe) length	<i>Coaxial D14</i> AKS 4100U: 19.2, 30, 45, 55, 65, 85 in. <i>Coaxial D22</i> AKS 4100U: 11.0 in. Single cable Ø2 mm / 0.08 in.: 800 – 5000 mm / 31.5 – 197 in.
Dead zone	This depends on the type of probe. (see pages 7 and 8)

Display and User interface

Display	Integrated LCD display 128 x 64 pixels in 8-step greyscale with 4-button keypad
Interface languages	English (default), German, French, Spanish, Japanese, Chinese, Russian

Operating conditions

Temperature:

Ambient temperature	-40 – 80 °C / -40 – 175 °F For HMI : -20 – 60 °C / -4 – 140 °F
Storage temperature	-40...85 °C / -40...185 °F
Process connection temperature	Standard -60 – 100 °C / -76 – 212 °F

Pressure:

Operating pressure	Standard: -1 – 100 barg / -14.5 – 1450 psig
--------------------	---

Other conditions:

Liquid dielectric constant (ε _r)	Cable version to be used in R717 / NH ₃ , HCFC and HFC ε _r , liquid > 5.6 Coaxial version is mandatory in R744 / CO ₂ ε _r , liquid > 1.3
Vibration resistance	EN 60721-3-4 (1...9 Hz: 3 mm / 10...200 Hz: 1g; 10g shock half-wave sinusoidal: 11 ms)
Protection category	IP 66/67 equivalent to NEMA type 4X (housing) and type 6P (probe)

Installation conditions

Dimensions and weights	See pages 10 and 11
------------------------	---------------------

Data sheet | Liquid Level Sensor, type AKS 4100U

Technical data (continued)

Material

Housing	Aluminium
Coaxial D14 and D22 version	Standard: Stainless steel (1.4404 / 316L)
Single cable	Standard: Stainless steel (1.4401 / 316)
Process fitting	Standard: Stainless steel (1.4404 / 316L)
Gaskets	EPDM (-50...150 °C / -58...300 °F)
Cable gland	Plastic (black)

Process connections

Thread:

Single cable Ø2 mm / 0.08"	AKS 4100U: ¾ in. NPT
Coaxial D14 and D22 version	AKS 4100U: ¾ in. NPT

Electrical connections

Power supply	Terminals output: 14 – 30 V DC. Min. / Max. Value for an output of 22 mA at the terminal. Ambient temperature limitations: -40 – 80 °C / -40 – 176 °F : 16 – 30 V DC -20 – 80 °C / -4 – 176 °F : 14 – 30 V DC
Current output load	RL [Ω] ≤ ((Uext -14 V) / 20 mA). – Default (Error output set to 3.6 mA) RL [Ω] ≤ ((Uext -14 V) / 22 mA). – (Error output set to 22 mA)
Cable gland	AKS 4100: PG 13, M20×1.5 ; (cable diameter: 6 – 8 mm / 0.24 – 0.31 in.) AKS 4100U: ½ in. NPT
Cable entry capacity (terminal)	0.5 – 1.5 mm ² (~20-15 AWG)

Input and output


Current output:

Output signal	4...20 mA or 3.8...20.5 mA acc. to NAMUR NE 43
Resolution	±3 µA
Temperature drift	Typically 75 ppm/K
Error signal	High: 22 mA; Low: 3.6 mA acc. to NAMUR NE 43; Hold (frozen value - not available with NAMURNE 43 compliant output.

Approvals and certification

<p>This device fulfills the statutory requirements of the EMC directives. The manufacturer certifies successful testing of the product by applying the CE mark.</p>

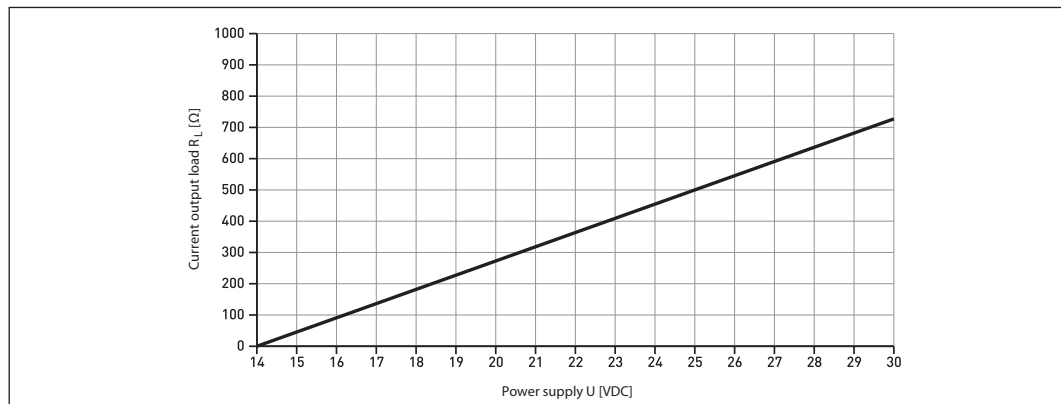
Other standards and approvals:

EMC	EMC Directives 2004 / 108 / EC and 93 / 68 / EEC in conjunction with EN 61326-1 (2006) and EN 61326-2-3 (2006). The device conforms to these standards if : - the device has a coaxial probe or - the device has a single probe that is installed in a metallic tank.
LVD	Low-Voltage Directives 2006 / 95 / EC and 93 / 68 / EEC in conjunction with EN 61010-1 (2001)
NAMUR	NAMUR NE 21 Electromagnetic Compatibility (EMC) of Industrial Process and Laboratory Control Equipment
	NAMUR NE 43 Standardization of the Signal Level for the Failure Information of Digital Transmitters

Technical data
(continued)

Minimum power supply voltage

Use this graph to find the minimum power supply voltage for a given current output load:



Minimum power supply voltage for an output of 22mA at the terminal

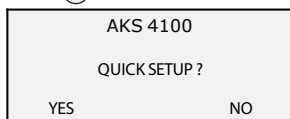
Note:

The signal converter can be programmed with or without mechanical process connector assembled.

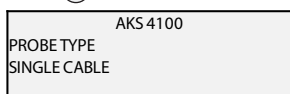
Quick Setup (all values below are only examples)

- Connect the device to the power supply (see the section "Electrical installation/connection").

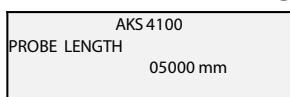
- Press \rightarrow 3 times.



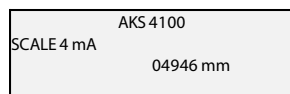
- Press \rightarrow



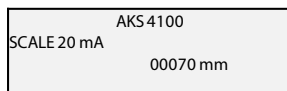
- Press \downarrow or \uparrow to select between SINGLE, COAXIAL D14 and COAXIAL D22. Choose **SINGLE** and press \rightarrow to confirm.



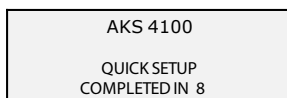
- Press \rightarrow to change the PROBE LENGTH. Press \rightarrow to change the position of the cursor. Press \downarrow to decrease the value or \uparrow to increase the value. Press \rightarrow to confirm.



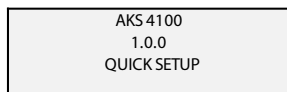
- Press \rightarrow to change of SCALE 4 mA. Press \rightarrow to change the cursor position. Press \downarrow to decrease the value or \uparrow to increase the value. Press \rightarrow to confirm.



- Press \rightarrow to change of SCALE 20 mA. Press \rightarrow to change the cursor position. Press \downarrow to decrease the value or \uparrow to increase the value. Press \rightarrow to confirm.



- Wait for QUICK SETUP to complete 8-second timeout



- Press \rightarrow to confirm.



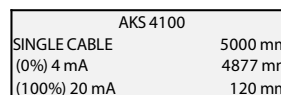
- Press \downarrow or \uparrow to select either STORE NO or STORE YES. Press \rightarrow to confirm.

Default screen appears:



Quick Setup completed

You have the possibility of checking your settings by pressing \rightarrow twice.



Press \leftarrow \uparrow \rightarrow to return to default screen.

Note: The signal converter can be programmed with or without mechanical process connector assembled.

Quick Setup (all values below are only examples)

When CO₂ is used:

- Connect the device to the power supply (see the section "Electrical installation/connection").

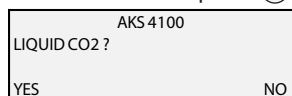
- Press 3 times.



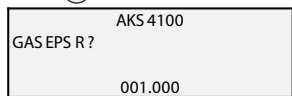
- Press .



- Press or to select between SINGLE, COAXIAL D14 and COAXIAL D22. Choose **COAXIAL D14** and press to confirm.

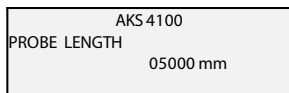


- Press (YES) to confirm

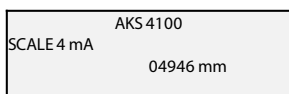


- Press to change GAS EPS.R. (Select the correct value from the tables on page 8)
Press to change cursor-position.
Press to decrease the value or to increase the value.

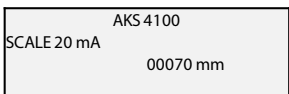
- Press to confirm.



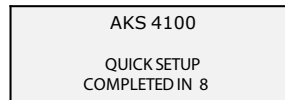
- Press to change the PROBE LENGTH. Press to change the position of the cursor.
Press to decrease the value or to increase the value.
Press to confirm.



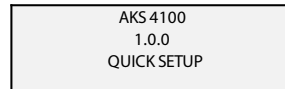
- Press to change of SCALE 4 mA.
Press to change the cursor position.
Press to decrease the value or to increase the value.
Press to confirm.



- Press to change of SCALE 20 mA.
Press to change the cursor position.
Press to decrease the value or to increase the value.
Press to confirm.



- Wait for QUICK SETUP to complete. Count down from 8 sec.

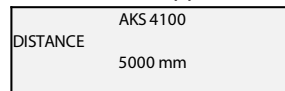


- Press to confirm.



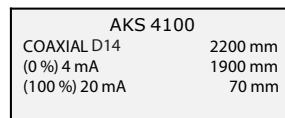
- Press or to select between STORE NO or STORE YES.
Press to confirm.

Default screen appears:



Quick Setup completed

You have the possibility of checking your settings by pressing twice.

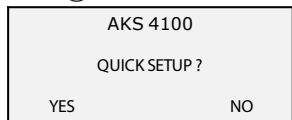


Press to return to default screen.

For all other refrigerants (please note that Coaxial D22 version can only be used in R717/NH₃):

- Connect the device to the power supply (see the section "Electrical installation/connection").

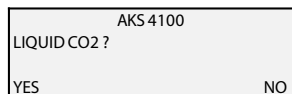
- Press 3 times.



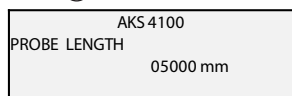
- Press .



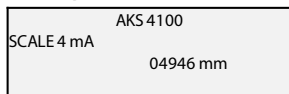
- Press or to select between SINGLE, COAXIAL D14 and COAXIAL D22. Choose the coaxial version you have (see page 3 for difference) and press to confirm.



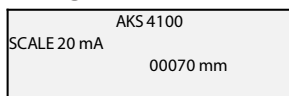
- Press (NO) to confirm



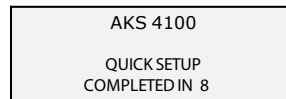
- Press to change the PROBE LENGTH. Press to change the position of the cursor. Press to decrease the value or to increase the value. Press to confirm.



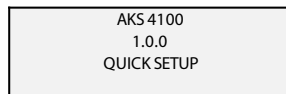
- Press to change of SCALE 4 mA. Press to change the cursor position. Press to decrease the value or to increase the value. Press to confirm.



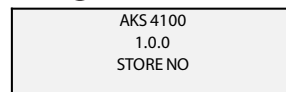
- Press to change of SCALE 20 mA. Press to change the cursor position. Press to decrease the value or to increase the value. Press to confirm.



- Wait for QUICK SETUP to complete. Count down from 8 sec.

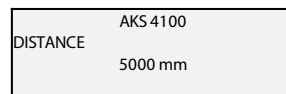


- Press to confirm.



- Press or to select between STORE NO or STORE YES. Press to confirm.

Default screen appears:



Quick Setup completed

CABLE and COAXIAL version

Forcing mA output (all values below are only examples)

Default screen

```

AKS 4100
DISTANCE
5000 mm
    
```

• Press

```

AKS 4100
1.0.0
QUICK SETUP
    
```

• Press

```

AKS 4100
2.0.0
SUPERVISOR
    
```

• Press

```

AKS 4100
2.0.0
_____
    
```

Enter password:

```

AKS 4100
2.1.0
INFORMATION
    
```

• Press

```

AKS 4100
2.2.0
TESTS
    
```

• Press

```

AKS 4100
2.2.1
SET OUTPUT
    
```

• Press

```

AKS 4100
SET OUTPUT
3.5 mA
    
```

• Press to decrease the value or to increase the value.
Press to confirm.

```

AKS 4100
SET OUTPUT
8 mA
    
```

• Press 4 times to return to default screen.

Default screen appears:

```

AKS 4100
DISTANCE
5000 mm
    
```

Force mA completed and disabled

Optional Procedure

If the temperature condition in the stand pipe is known, a constant (dielectric constant of the refrigerant gas) **can be** entered (parameter 2.5.3 GAS EPS.R), in order to obtain lower Top and Bottom Dead Zone values (**see pages 7 and 8**).

Entering refrigerant dielectric gas constant (all values below are only examples)

<p>Default screen</p> <div style="border: 1px solid black; padding: 5px; width: fit-content;"> AKS 4100 DISTANCE 5000 mm </div> <p>• Press </p> <div style="border: 1px solid black; padding: 5px; width: fit-content;"> AKS 4100 1.0.0 QUICK SETUP </div> <p>• Press </p> <div style="border: 1px solid black; padding: 5px; width: fit-content;"> AKS 4100 2.0.0 SUPERVISOR </div> <p>• Press </p> <div style="border: 1px solid black; padding: 5px; width: fit-content;"> AKS 4100 2.0.0 _____ </div> <p>Enter password:</p> <div style="display: flex; justify-content: space-around; width: 100px;"> </div> <div style="border: 1px solid black; padding: 5px; width: fit-content;"> AKS 4100 2.1.0 INFORMATION </div>	<p>• Press 4 times.</p> <div style="border: 1px solid black; padding: 5px; width: fit-content;"> AKS 4100 2.5.0 APPLICATION </div> <p>• Press </p> <div style="border: 1px solid black; padding: 5px; width: fit-content;"> AKS 4100 2.5.1 TRACING VEL. </div> <p>• Press 2 times.</p> <div style="border: 1px solid black; padding: 5px; width: fit-content;"> AKS 4100 2.5.3 GAS EPS. R </div> <p>• Press to change GAS EPS.R. (Select the correct value from the tables on page 16) Press to change cursor-position. Press to decrease the value or to increase the value.</p> <div style="border: 1px solid black; padding: 5px; width: fit-content;"> AKS 4100 GASEPS. R 1.066 </div>	<p>• Press to confirm.</p> <div style="border: 1px solid black; padding: 5px; width: fit-content;"> AKS 4100 2.5.3 GAS EPS. R </div> <p>• Press 3 times.</p> <div style="border: 1px solid black; padding: 5px; width: fit-content;"> AKS 4100 1.0.0 STORE NO </div> <p>• Press or to select between STORE NO or STORE YES. Select STORE YES by pressing </p> <p>Default screen appears:</p> <div style="border: 1px solid black; padding: 5px; width: fit-content;"> AKS 4100 DISTANCE 5000 mm </div> <p>Entering the dielectric constant of refrigerant gas completed</p>
--	---	---

Saturated vapour dielectric constant (default value: 1.066)

R717 (NH₃)

Temperature range:
-60 – 50 °C / -76 – 122 °F

Temperature [°C]	Temperature [°F]	Dielectric constant of refrigerant gas Parameter 2.5.3 GAS EPS.R
-60 – -42	-76 – -43	1.00
-41 – -18	42 – 0	1.01
-17 – -5	1 – 23	1.02
-4 – 4	24 – 39	1.03
5 – 12	40 – 54	1.04
13 – 18	55 – 64	1.05
19 – 24	65 – 75	1.06
25 – 28	76 – 82	1.07
29 – 33	83 – 91	1.08
34 – 37	92 – 99	1.09
38 – 40	100 – 104	1.10
41 – 44	105 – 111	1.11
45 – 47	112 – 117	1.12
48 – 50	118 – 122	1.13

R22

Temperature range:
-60 – 48 °C / -76 – 118 °F

Temperature [°C]	Temperature [°F]	Dielectric constant of refrigerant gas Parameter 2.5.3 GAS EPS.R
-60 – -50	-76 – -58	1.00
-49 – -25	57 – -13	1.01
-24 – -10	-12 – 14	1.02
-9 – 0	15 – 32	1.03
1 – 8	33 – 46	1.04
9 – 15	47 – 59	1.05
16 – 21	60 – 70	1.06
22 – 26	71 – 79	1.07
27 – 31	80 – 88	1.08
32 – 35	89 – 95	1.09
36 – 39	96 – 102	1.10
40 – 42	103 – 108	1.11
43 – 45	109 – 113	1.12
46 – 48	114 – 118	1.13

R410A

Temperature range:
-65 – 15 °C / -85 – 59 °F

Temperature [°C]	Temperature [°F]	Dielectric constant of refrigerant gas Parameter 2.5.3 GAS EPS.R
-65 – -47	-85 – -52	1.01
-46 – -35	-51 – -31	1.02
-34 – -26	-30 – -14	1.03
-25 – -19	-13 – -2	1.04
-18 – -13	-1 – 9	1.05
-12 – -8	10 – 18	1.06
-7 – -4	19 – 25	1.07
-3 – 0	26 – 32	1.08
1 – 4	33 – 40	1.09
5 – 7	41 – 45	1.10
8 – 10	46 – 50	1.11
11 – 12	51 – 54	1.12
13 – 15	55 – 59	1.13

R744 (CO₂)

Temperature range:
-56 – 15 °C / -69 – 59 °F

Temperature [°C]	Temperature [°F]	Dielectric constant of refrigerant gas Parameter 2.5.3 GAS EPS.R
-56.0 – -42.0	-69 – -43	1.01
-41.0 – -28.0	-42 – -18	1.02
-27.0 – -17.0	-17 – 2	1.03
-16.0 – -9.0	3 – 16	1.04
-8.0 – -3.0	17 – 27	1.05
-2.0 – 2	28 – 36	1.06
3 – 7	37 – 45	1.07
8 – 11	46 – 52	1.08
12 – 14	53 – 58	1.09
15	59	1.10

R134a

Temperature range:
-60 – 50 °C / -76 – 122 °F

Temperature [°C]	Temperature [°F]	Dielectric constant of refrigerant gas Parameter 2.5.3 GAS EPS.R
-60 – -42	-76 – -43	1.00
-41 – -18	-42 – 0	1.01
-17 – -4	1 – 25	1.02
-3 – 5	26 – 41	1.03
6 – 13	42 – 56	1.04
14 – 20	57 – 68	1.05
21 – 25	69 – 77	1.06
26 – 30	78 – 86	1.07
31 – 34	87 – 94	1.08
35 – 38	95 – 100	1.09
39 – 42	101 – 108	1.10
43 – 45	109 – 113	1.11
46 – 48	114 – 119	1.12
49 – 50	120 – 122	1.13

R404A

Temperature range:
-60 – 15 °C / -76 – 59 °F

Temperature [°C]	Temperature [°F]	Dielectric constant of refrigerant gas Parameter 2.5.3 GAS EPS.R
-60 – -47	-76 – -52	1.01
-46 – -35	-51 – -31	1.02
-34 – -26	-30 – -14	1.03
-25 – -19	-13 – -2	1.04
-18 – -14	-1 – 7	1.05
-13 – -9	8 – 16	1.06
-8 – -4	17 – 25	1.07
-3 – 0	26 – 32	1.08
1 – 3	33 – 38	1.09
4 – 6	39 – 43	1.10
7 – 9	44 – 49	1.11
10 – 12	50 – 54	1.12
13 – 15	55 – 59	1.13

R507

Temperature range:
-60 – 15 °C / -76 – 59 °F

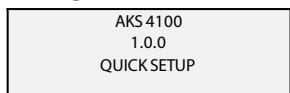
Temperature [°C]	Temperature [°F]	Dielectric constant of refrigerant gas Parameter 2.5.3 GAS EPS.R
-60 – -48	-76 – -54	1.01
-47 – -36	-53 – -32	1.02
-35 – -28	-31 – -18	1.03
-27 – -21	-17 – -6	1.04
-20 – -15	-17 – -5	1.05
-14 – -10	-4 – 14	1.06
-9 – -6	13 – 22	1.07
-5 – -2	23 – 29	1.08
-1 – 2	30 – 36	1.09
3 – 5	37 – 41	1.10
6 – 8	42 – 47	1.11
9 – 11	48 – 52	1.12
12 – 13	53 – 56	1.13
14 – 15	57 – 59	1.14

How to change the language setting (Default: English)

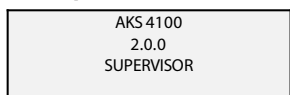
Default screen



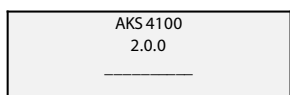
- Press



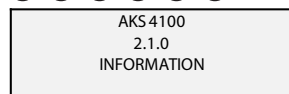
- Press



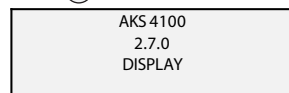
- Press



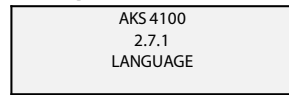
Enter password:



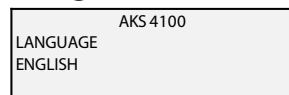
- Press 6 times



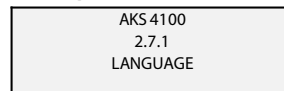
- Press



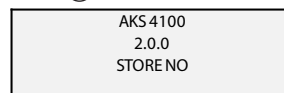
- Press



- Press or to see the language possibilities
Press to confirm.



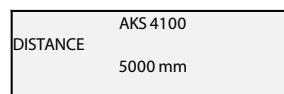
- Press 3 times



- Press or to select between STORE NO or STORE YES.

Select STORE YES by pressing

Default screen appears:



Language setup completed

Reset to factory setting

- Go to SUPERVISOR menu (see page 16).
- Go to parameter 2.9.4 Reset Factory.
- Select RESET FACTORY YES
- Press 3 times to return to default screen.

Factory reset completed.

ENGINEERING
TOMORROW



Danfoss can accept no responsibility for possible errors in catalogues, brochures and other printed material. Danfoss reserves the right to alter its products without notice. This also applies to products already on order provided that such alterations can be made without consequential changes being necessary in specifications already agreed. All trademarks in this material are property of the respective companies. Danfoss and the Danfoss logotype are trademarks of Danfoss A/S. All rights reserved.
