

Application



RA/RTD 2945 and 2946 are replacement sensors for existing systems fitted with RTD valve bodies.

Replacement sensors incorporate RA 2000 technology and design, and provide a simple and straightforward way to upgrade older radiator thermostats without the need to drain down the system.

As part of any upgrade Danfoss recommend that the valve gland seal is also replaced. These can be replaced without draining down the system.

Ordering and specifications

Thermostatic sensors

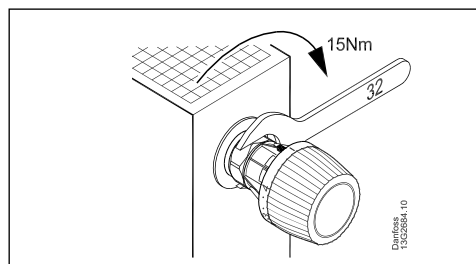
Type	Valve/dim.	Model	Temp. range <sup>1)</sup>	Code no.
RA/RTD	RTD 10-25	Built-in sensor	5-26 °C	<b>013G2945</b>
RA/RTD	RTD 10-25	Built-in sensor	16-26 °C	<b>013G2946</b>

<sup>1)</sup> Temperatures stated for Xp = 2K, i.e. the valve is closed at 2 °C higher room temperature.

Accessories

Product	Code no.
Gland seal assembly for RTD valves	10 pieces <b>013G0290</b>

Fitting the sensor



Built-in sensors should always be fitted horizontally so that the ambient air can pass freely over the sensor.

No other tools but an open end spanner is needed to fit the replacement sensor.

Setting the temperature

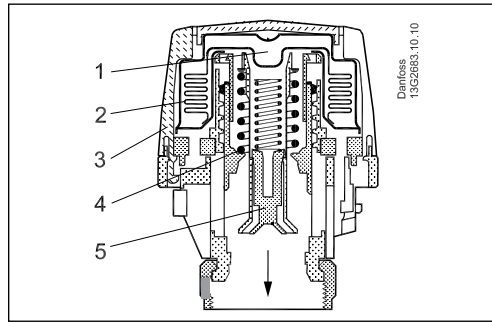
The required room temperature is set by turning the setting dial. The temperature scales show the correlation between scale values and the room temperature. The temperature values stated are for guidance only as the obtained room temperature will often be influenced by installation conditions. The temperature scales are stated according to

European standards at Xp = 2°C. This means that the radiator thermostats close at a sensor temperature which is 2°C higher than stated on the temperature scales.

Locking and limitation of the temperature set-point of RA sensors are carried out using the limiter pins placed at the back of the sensor.

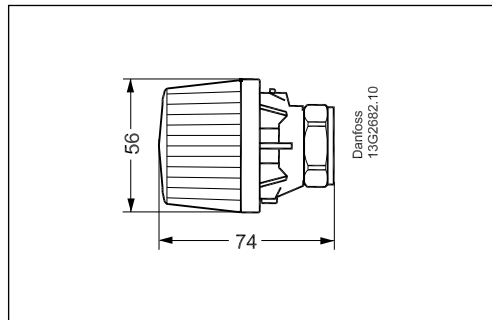
<b>RA 2945</b>		* = Frost protection setting	79,5	14	17	20	23	26	28°C
			* 1	2	• • 3 • • 4	5	I		
<b>RA 2946</b>		* = Frost protection setting		17	20	23	26	28°C	
				2	• • 3 • • 4	5	I		
				15	18	21	24	26°C	

Construction



- 1. Actuator
- 2. Bellows
- 3. Setting dial
- 4. Setting spring
- 5. Spindle

Dimensions



Danfoss can accept no responsibility for possible errors in catalogues, brochures and other printed material. Danfoss reserves the right to alter its products without notice. This also applies to products already on order provided that such alterations can be made without subsequential changes being necessary in specifications already agreed. All trademarks in this material are property of the respective companies. Danfoss and the Danfoss logotype are trademarks of Danfoss A/S. All rights reserved.