

Data sheet

Check & stop valve, SCA-X Check valve, CHV-X



SCA-X are check valves with a built-in shut-off valve function. SCA-X valves are available in angleway versions.

CHV-X are check valves only. CHV-X are available in both angleway and straightway versions.

The valves are designed to open at very low differential pressures, allow favourable flow conditions and are easy to disassemble for inspection and service.

The SCA-X is equipped with vented cap and has internal backseating enabling the spindle seal to be replaced whilst the valve still under pressure.

Laser cut V-ports provide excellent opening characteristics (SCA-X/CHV-X 50-125).

The valve cone has a built-in flexibility to ensure a precise and tight closing towards the valve seat.

A well balanced dampening effect between the piston and the cylinder gives an optimal protection during low loads and against pulsations.

Features

- Applicable to HCFC, HFC, R717 (Ammonia), R744 (CO₂), Propane, Butane, Iso-Butane and Ethane.
- Modular Concept:
 - Each valve housing is available with several different connection types and sizes.
 - Possible to convert SCA-X or CHV-X to any other product in the Flexline™ SVL family (Hand operated regulating valve, shut-off valve or strainer) just by replacing the complete top part.
- Fast and easy valve overhaul service. It is easy to replace the top part and no welding is needed.
- Designed to open at a very low differential pressure of 0.04 bar / 0.58 psig.
- Designed with a built-in damping chamber preventing valve flutter in case of low refrigerant velocity and/or low density.
- Each valve is clearly marked with type, size and performance range.
- Easy to disassemble for inspection and service.
- Internal backseating enables replacement of the spindle seal whilst the valve is active, i.e. under pressure.
- Optimal flow characteristics ensuring quick opening to the fully open position.
- Protection against pulsation by built-in damping facility.
- Housing and bonnet material is low temperature steel according to requirements of the Pressure Equipment Directive and other international classification authorities.
- Equipped with Stainless steel bolts.
- Max. working pressure: 52 bar g / 754 psi g
- Temperature range: -60 – 150 °C / -76 – 302 °F
- Classification: DNV, CRN, BV, EAC etc. To get an updated list of certification on the products please contact your local Danfoss Sales Company.

Design

Connections

Available with the following connections:

- Butt-weld DIN (EN 10220)
DN 15 - 125 (½ - 5 in.)
- Butt-weld ANSI (B 36.10 Schedule 80),
DN 15 - 40 (½ - 1½ in.)
- Butt-weld ANSI (B 36.10 Schedule 40),
DN 50 - 125 (2 - 5 in.)
- Butt-weld GOST, (8734-75 and 8732-78)
DN 15 - 125 (½ - 5 in.)
- Socket-weld ANSI (B 16.11),
DN 50 (2 in.)

Housing

The housing is made from special, cold resistant steel.

Valve cone

Valve cone with built in metallic stop - prevents damage to teflon ring in case of overtightening.

Damping chamber

The chamber is filled with refrigerants (gas or liquid), which provides a damping effect when the valve opens and closes.

Spindle (SCA-X)

Made of polished stainless steel, which is ideal for O-ring sealing.

Packing Gland (SCA-X)

The "full temperature range" packing gland is the standard for the entire SVL platform.

This ensures perfect tightness throughout the whole temperature range:
-60 – 150 °C / -76 – 302 °F.

Pressure Equipment Directive (PED)

The SCA-X/CHV-X valves are approved according to the European standard specified in the Pressure Equipment Directive and are CE marked.

For further details / restrictions - see the product instruction.

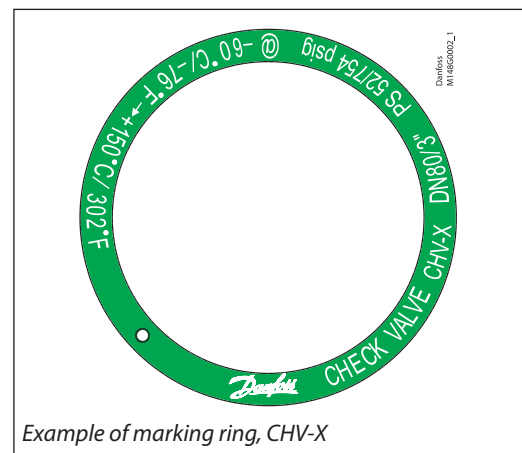
Installation

The valve must be mounted vertically with the cone downwards.

The valve is designed to resist very high internal pressure. However, the piping system in general should be designed to avoid liquid traps and reduce the risk of hydraulic pressure caused by thermal expansion.

For further information refer to installation instructions for SCA-X/CHV-X.

If cold refrigeration oil having low viscosity enters and settles in the damping chamber, problems with the check valve may arise. Consequently, it may be necessary to modify the valve for more viscous liquids by enlarging the hole to the damping chamber.



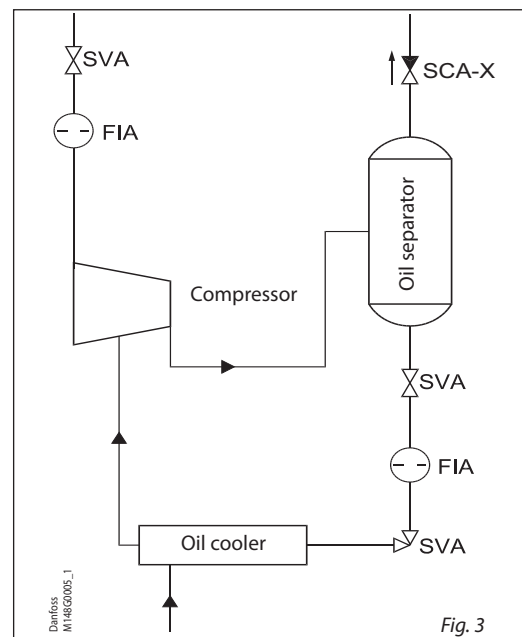
SCA-X/CHV-X valves			
Nominal bore	DN = < 25 mm (1 in.)	DN32-80 mm (1¼ - 3 in.)	DN100 - 125 mm (4 - 5 in.)
Classified for	Fluid group I		
Category	Article 3, paragraph 3	II	III

Application

Figure 3 shows the check & stop valve SCA-X in the discharge line of a screw compressor unit. The SCA-X valve in the discharge line prevents "back condensation" in the oil separator as well as pressure equalising through the compressor.

Compared to an ordinary shut-off and check valve arrangement the combined check & stop valve solution, as shown, is easier to install and has lower flow resistance.

Installation of the SCA-X/CHV-X in the economizer line is **not** recommended.



Technical data

- *Refrigerants*
Applicable to HCFC, HFC, R717 (Ammonia), R744 (CO₂), Propane, Butane, Iso-Butane and Ethane.
- *Temperature range*
-60 – 150 °C / -76 – 302 °F.

- *Max. working pressure*
52 bar g / 754 psig.

For installation in heat pump applications, please contact Danfoss.

Computation and selection

Introduction

When dimensioning SCA-X/CHV-X, it is important to select a valve that is best suited to all operating conditions. Therefore, it is necessary to consider both the nominal and part load working conditions.

The SCA-X/CHV-X valve can be calculated in two ways:

- Using the tables below.
- Using Coolselector®2

Example

SI-Units

Assumed working conditions:
Maximum flow $\dot{V} = 1000 \text{ m}^3/\text{h}$
Density $\rho = 3.0 \text{ kg/m}^3$
Minimum part load = 33%

Used expressions:

- Recommended velocity - C_{rec} [m/s]
- Minimum recommended velocity - $C_{min, rec}$ [m/s]
- Maximum velocity - C_{max} [m/s]
- Part load velocity - C_{part} [m/s]

We know the density $\rho \approx 3.0 \text{ kg/m}^3$, consequently C_{rec} as well as $C_{min, rec}$ can be found in the figure below (standard valve).

$C_{rec} \approx 14 \text{ m/s}$
 $C_{min, rec} \approx 3 \text{ m/s}$

US-Units

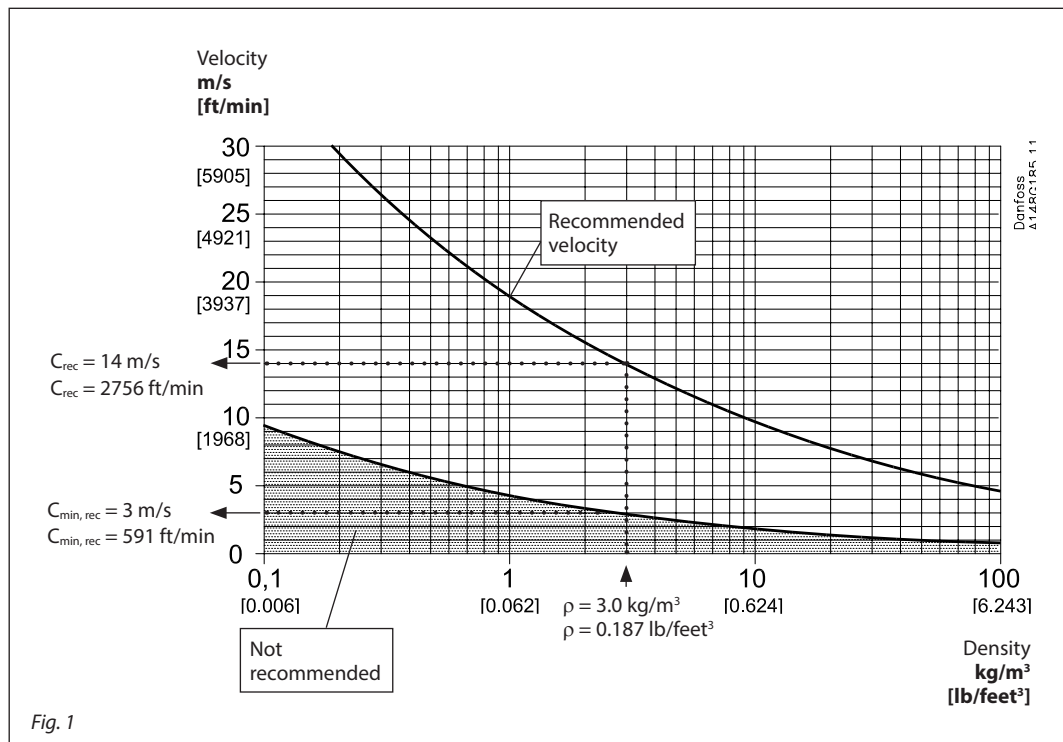
Assumed working conditions:
Maximum flow $\dot{V} = 1160 \text{ gpm}$
Density $\rho = 0.187 \text{ lb/feet}^3$
Minimum part load = 33%

Used expressions:

- Recommended velocity - C_{rec} [ft/min]
- Minimum recommended velocity - $C_{min, rec}$ [ft/min]
- Maximum velocity - C_{max} [ft/min]
- Part load velocity - C_{part} [ft/min]

We know the density $\rho \approx 0.187 \text{ lb/feet}^3$, consequently C_{rec} as well as $C_{min, rec}$ can be found in the figure (standard valve).

$C_{rec} \approx 2756 \text{ ft/min}$
 $C_{min, rec} \approx 591 \text{ ft/min}$



Selection example continued on following page.

Computation and selection
(continued)

Knowing that $\dot{V} = 1000 \text{ m}^3/\text{h}$ (1160 gpm) fig. 2 gives the following choices:

For SCA-X/CHV-X in size DN 100 the maximum velocity $C_{\text{max}} \approx 31 \text{ m/s}$ (6100 ft/min)
 For SCA-X/CHV-X in size DN 125 the maximum velocity $C_{\text{max}} \approx 20 \text{ m/s}$ (3900 ft/min)

In conclusion SCA-X in size DN 125 is selected because $C_{\text{max}} \approx 20 \text{ m/s}$ (3900 ft/min) comes nearest to the recommended velocity $C_{\text{rec}} \approx 14 \text{ m/s}$ (2756 ft/min) and at the same time part load conditions fulfil the requirements, as described:

We know that $C_{\text{max}} \approx 20 \text{ m/s}$ (3900 ft/min) and that minimum part load is 33%. It follows that $C_{\text{part}} \approx 6.5 \text{ m/s}$ (1290 ft/min). Thus, $C_{\text{part}} (6.5 \text{ m/s}) > C_{\text{min, rec}}$

(3.0 m/s) and the selected SCA-X model DN125 is the perfect choice.
 If the valve in question (for instance under part load conditions) provides a velocity less than $C_{\text{min, rec}}$ the valve might start hammering and become noisy. As a result the valve may wear prematurely.

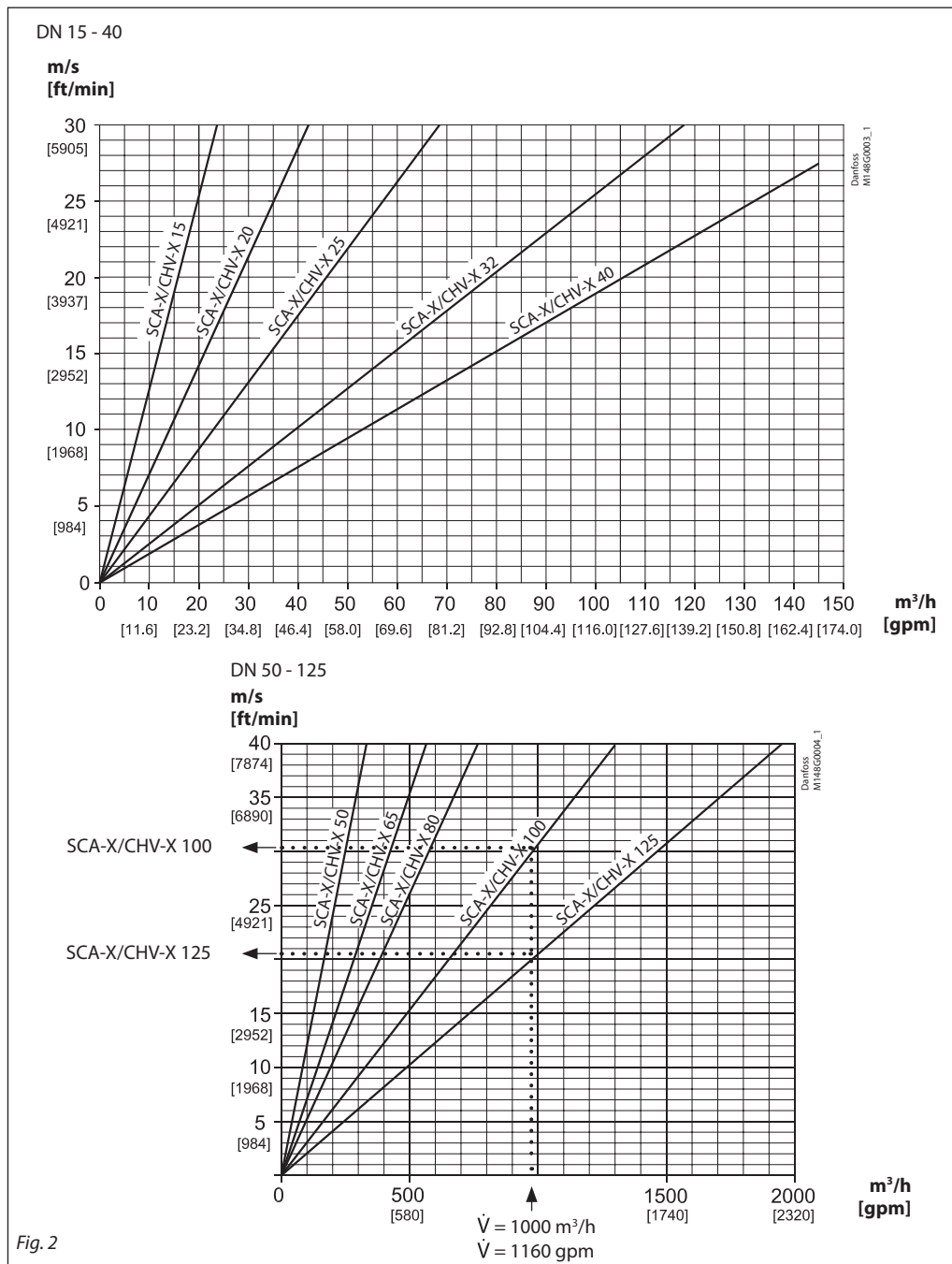
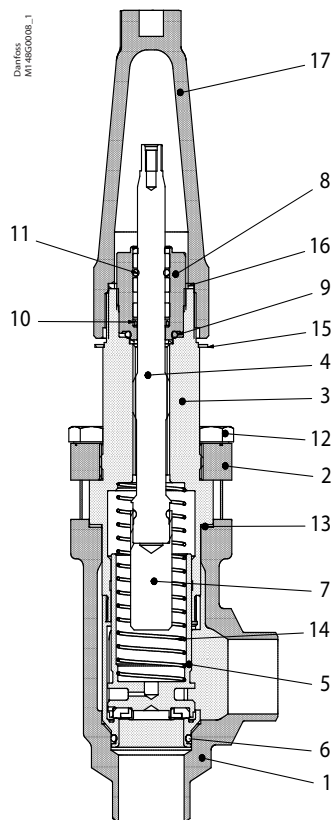
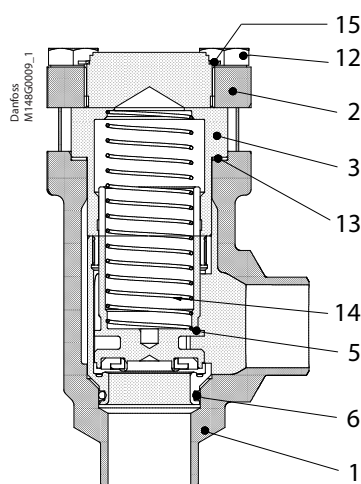


Fig. 2

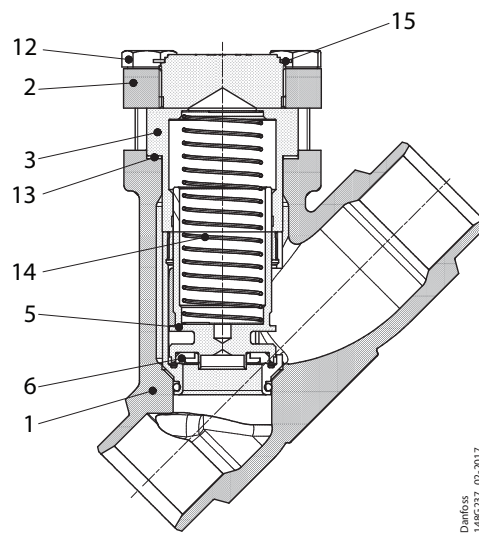
Material specification



SCA-X 15 - 40



CHV-X 15 - 40



CHV-X 15 - 40

Danfoss
1485.237_02-2017

No.	Part	Material	DIN/EN	ISO	ASTM
1	Housing	Steel	P285QH EN10222-4		LF2A350
2	Bonnet, Flange	Steel	P275NL1 EN10028-3		
3	Bonnet, Insert	Steel			
4	Spindle	Stainless steel	X 10CrNiS18-9	Type 17, 17440	AISI 303, 683/13
5	Cone	Steel Teflon (PTFE)			
6	O-ring	Cloroprene (Neoprene)			
7	Spindle extension	Steel			
8	Packing gland O-rings	Steel Cloroprene (Neoprene)			
9	Packing washer	Aluminium			
10	Spring loaded seal	Teflon (PTFE)			
11	O-ring	Cloroprene (Neoprene)			
12	Bolts	Stainless steel	A2-70	A2-70	Type 308
13	Gasket	Fiber, non-asbestos			
14	Spring	Steel			
15	Identification ring	Stainless steel			
16	Seal cap gasket	Nylon			
17	Spindle seal cap	Aluminium			

Material specification

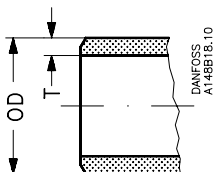
No.	Part	Material	DIN/EN	ISO	ASTM
1	Housing DN 50-65	Steel	P285 QH EN 10222-4		LF2A350
	Housing DN 80-125	Steel	G20Mn5 QT SEW 685		LCC, A352
2	Gasket	Fiber, Non-asbestos			
3	SCA-X: Valve bonnet CHV-X: End cover	Steel	P285 QH EN 10222-4		LF2A350
4	Bolts	Stainless steel	A2-70	A2-70	A-276
5	Tube	Steel			
6	Seat	Steel			
7	Valve plate	Steel			
8	Guide sleeve	Steel			
9	Spring ring	Steel			
10	Spring	Steel			
11	O-ring	Cloroprene (Neoprene)			
12	Teflon ring	Teflon (PTFE)			
13	Soft back seal	Teflon (PTFE)			
14	Spindle DN 50-65	Stainless steel	X8CrNiS18-9 17440	Type 17 R 683/13	AISI 303
	Spindle DN 80-125	Stainless steel	X5CrNi1810 17440	Type 11 683/13	AISI 304 A-276
15	Packing gland	Steel	9Mn28, 1651	Type 2, R 683/9	1213, SAE J403
16	Spindle seal cap and gasket	Aluminium			
17	Marking label	Stainless steel			

Data sheet | Check & stop valve, type SCA-X - Check valve, type CHV-X

Connections

Size mm	Size in.	OD mm	T mm	OD in.	T in.			k _v -angle m ³ /h		C _v -angle USgal/min	
---------	----------	-------	------	--------	-------	--	--	---	--	---------------------------------	--

ANSI



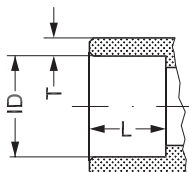
Butt-weld ANSI (B 36.10 Schedule 80)

15	½	21.3	3.7	0.839	0.146			8.0		9.3	
20	¾	26.9	4.0	1.059	0.158			10.0		11.6	
25	1	33.7	4.6	1.327	0.181			24.0		27.8	
32	1¼	42.4	4.9	1.669	0.193			30.0		34.8	
40	1½	48.3	5.1	1.902	0.201			30.0		34.8	

Butt-weld ANSI (B 36.10 Schedule 40)

50	2	60.3	3.9	2.37	0.15			45		53	
65	2½	73.0	5.2	2.87	0.20			72		85	
80	3	88.9	5.5	3.50	0.22			103		129	
100	4	114.3	6.0	4.50	0.24			196		232	
125	5	141.3	6.6	5.56	0.26			301		356	

SOC

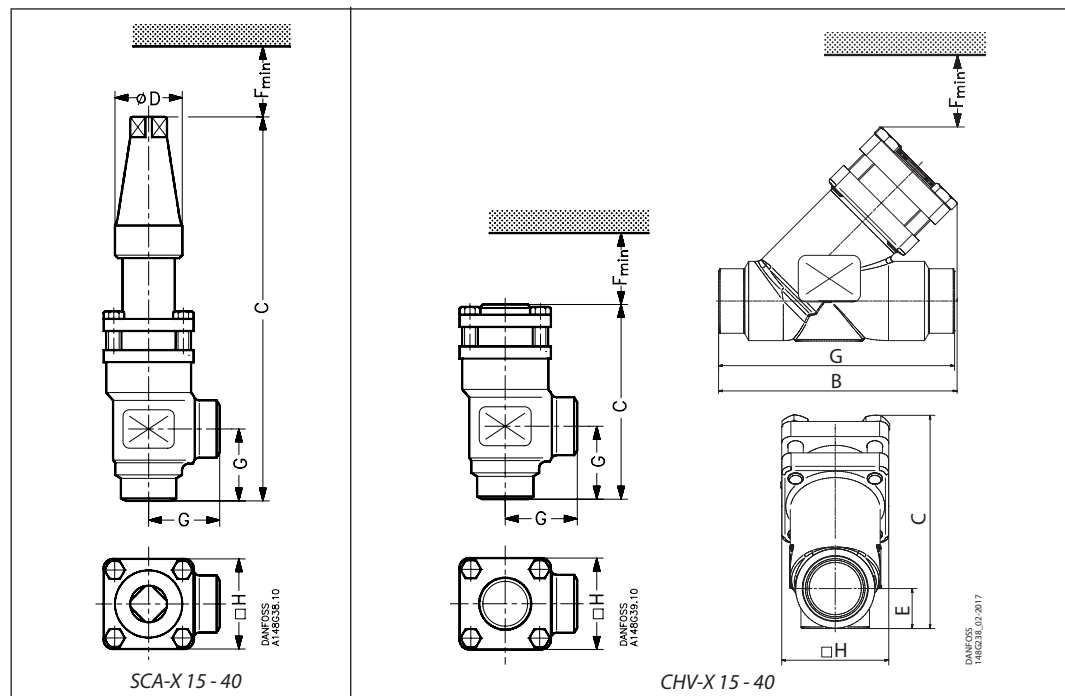


Socket welding ANSI (B 16.11)

Size mm	Size in.	ID mm	T mm	ID in.	T in.	L mm	L in.				
15	½	21.8	6.0	0.858	0.235	10	0.39				
20	¾	27.2	4.6	1.071	0.181	13	0.51				
25	1	33.9	7.2	1.335	0.284	13	0.51				
32	1¼	42.7	6.1	1.743	0.240	13	0.51				
40	1½	48.8	6.6	1.921	0.260	13	0.51				
50	2	61.2	6.2	2.41	0.24	16	0.63				

Dimensions and weights

SCA-X/CHV-X 15 - 40 (½- 1½ in.)



Valve size	C	G	ØD	F _{min}	H	Weight
------------	---	---	----	------------------	---	--------

SCA-X 15 - 40

SCA-X 15 (½ in.)	mm in.	212 8.35	45 1.77	38 1.50	60 2.36	60 2.36	1.6 kg 3.53 lb
SCA-X 20 (¾ in.)	mm in.	212 8.35	45 1.77	38 1.50	60 2.36	60 2.36	1.6 kg 3.53 lb
SCA-X 25 (1 in.)	mm in.	295 11.61	55 2.17	50 1.97	85 3.35	70 2.76	3.2 kg 7.05 lb
SCA-X 32 (1¼ in.)	mm in.	295 11.61	55 2.17	50 1.97	85 3.35	70 2.76	3.2 kg 7.05 lb
SCA-X 40 (1½ in.)	mm in.	295 11.61	55 2.17	50 1.97	85 3.35	70 2.76	3.2 kg 7.05 lb

CHV-X 15 - 40 Angleway

CHV-X 15 (½ in.)	mm in.	103 4.06	45 1.77		60 2.36	60 2.36	1.2 kg 2.65 lb
CHV-X 20 (¾ in.)	mm in.	103 4.06	45 1.77		60 2.36	60 2.36	1.2 kg 2.65 lb
CHV-X 25 (1 in.)	mm in.	143 5.63	55 2.17		85 3.35	70 2.76	2.3 kg 5.07 lb
CHV-X 32 (1¼ in.)	mm in.	143 5.63	55 2.17		85 3.35	70 2.76	2.3 kg 5.07 lb
CHV-X 40 (1½ in.)	mm in.	143 5.63	55 2.17		85 3.35	70 2.76	2.3 kg 5.07 lb

Valve size	C	B	E	G	F _{min}	H	Weight
------------	---	---	---	---	------------------	---	--------

CHV-X 15 - 40 Straightway

CHV-X 15 (½ in.)	mm in.	99 3.90	114 4.49	19 0.75	120 4.72	60 2.36	60 2.36	1.3kg 2.87lb
CHV-X 20 (¾ in.)	mm in.	99 3.90	114 4.49	19 0.75	120 4.72	60 2.36	60 2.36	1.3kg 2.87lb
CHV-X 25 (1 in.)	mm in.	141 5.55	157 6.18	26 1.02	155 6.10	85 3.35	70 2.76	2.6kg 5.73lb
CHV-X 32 (1¼ in.)	mm in.	141 5.55	157 6.18	26 1.02	155 6.10	85 3.35	70 2.76	2.6kg 5.73lb
CHV-X 40 (1½ in.)	mm in.	141 5.55	157 6.18	26 1.02	155 6.10	85 3.35	70 2.76	2.6kg 5.73lb

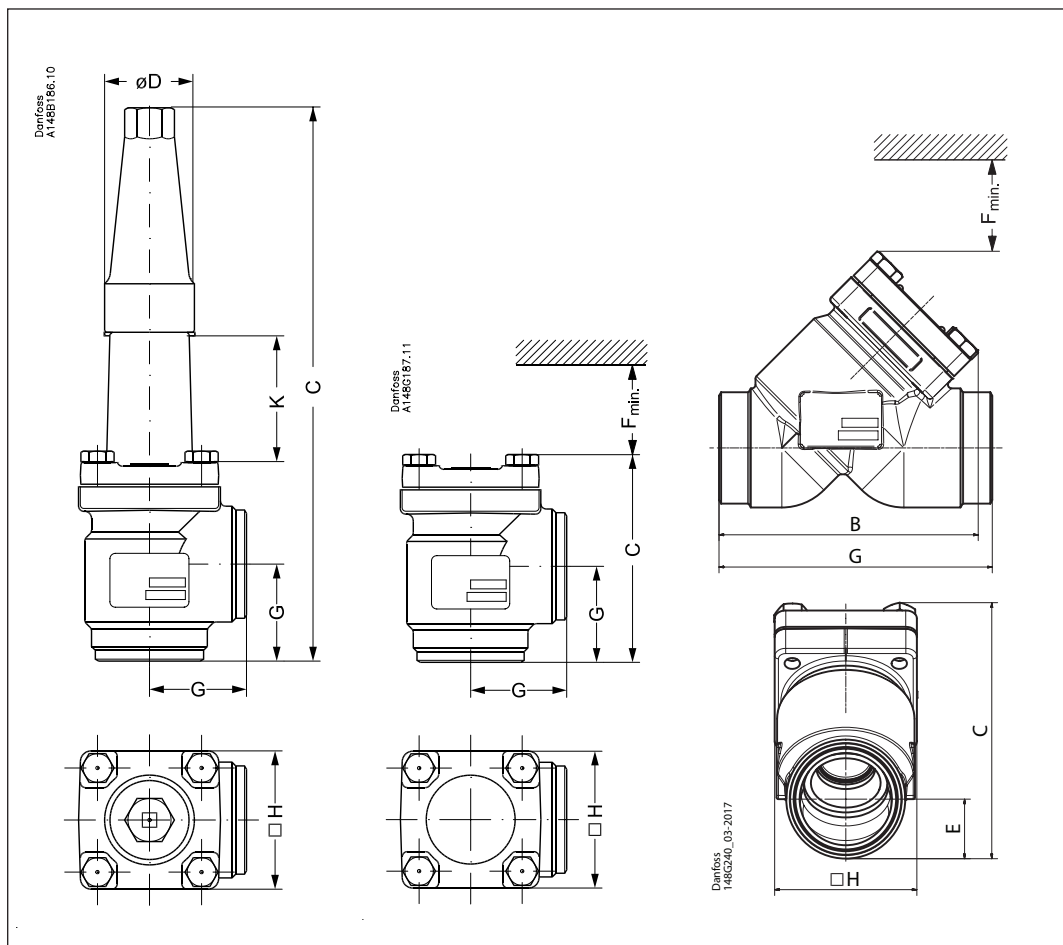
CHV-X 32-40 Straightway, Socket weld

CHV-X 32-40 (1¼ - 1½ in.)	mm in.	132 5.20	156 6.14	26 1.02	155 6.10	85 3.35	70 2.76	2.8kg 6.11lb
---------------------------	-----------	-------------	-------------	------------	-------------	------------	------------	-----------------

Specified weights are approximate values only.

Dimensions and weights

SCA-X/CHV-X 50 - 65 (2 - 2½ in.)



Valve size	K	C	G	ØD	□H	Weight
------------	---	---	---	----	----	--------

SCA-X

SCA-X 50	mm	70	315	60	50	77	3.8 kg
SCA-X (2)	in.	2.76	12.40	2.36	1.97	3.03	8.40 lb
SCA-X 65	mm	70	335	70	50	90	5.5 kg
SCA-X (2½)	in.	2.76	13.19	2.76	1.97	3.54	12.16 lb

Valve size	C	G	F _{min.}	□H	Weight
------------	---	---	-------------------	----	--------

CHV-X Angleway

CHV-X 50	mm	132	60	92	77	3.2 kg
CHV-X (2)	in.	5.20	2.36	3.62	3.03	7.10 lb
CHV-X 65	mm	152	70	107	90	4.5 kg
CHV-X (2½)	in.	5.98	2.76	4.21	3.54	9.95 lb

Valve size	C	B	E	G	F _{min.}	□H	Weight
------------	---	---	---	---	-------------------	----	--------

CHV-X Straightway

CHV-X 50	mm	139	140	32	148	92	77	3 kg
CHV-X (2)	in.	5.47	5.51	1.26	5.83	3.62	3.03	6.72 lb
CHV-X 65	mm	163	164	40	176	107	90	4.3 kg
CHV-X (2½)	in.	6.4	6.4	1.6	6.9	4.21	3.54	9.44 lb

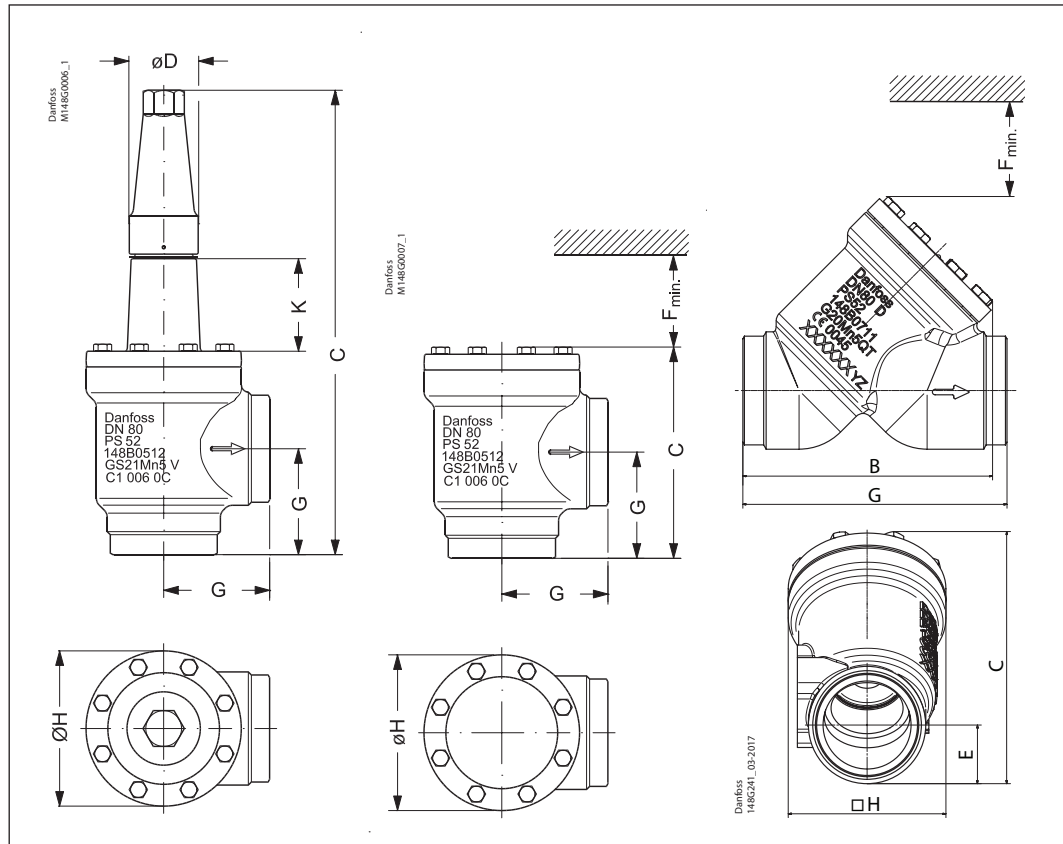
CHV-X Straightway, Socket weld

CHV-X 50	mm	142	147	37	162	92	77	3.8 kg
CHV-X (2)	in.	5.59	5.79	1.46	6.38	3.62	3.03	8.33 lb

Specified weights are approximate values only.

Dimensions and weights

SCA-X/CHV-X 80 - 125 (3 - 5 in.)



Valve size	K	C	G	ØD	ØH	Weight
------------	---	---	---	----	----	--------

SCA-X

SCA-X 80	mm	76	388	90	58	129	9.7 kg
SCA-X (3)	in.	3.00	15.28	3.54	2.28	5.08	21.4 lb
SCA-X 100	mm	90	437	106	58	156	15.3 kg
SCA-X (4)	in.	3.54	17.20	4.17	2.28	6.14	33.7 lb
SCA-X 125	mm	90	533	128	74	193	28.1 kg
SCA-X (5)	in.	3.54	20.98	5.04	2.91	7.60	61.9 lb

Valve size	C	G	F _{min.}	ØH	Weight
------------	---	---	-------------------	----	--------

CHV-X Angleway

CHV-X 80	mm	189	90	133	129	8.7 kg
CHV-X (3)	in.	7.44	3.54	5.24	5.08	19.23 lb
CHV-X 100	mm	223	106	163	156	14.3 kg
CHV-X (4)	in.	8.78	4.17	6.43	6.14	31.60 lb
CHV-X 125	mm	268	128	190	193	25.6 kg
CHV-X (5)	in.	10.55	5.04	7.48	7.60	56.58 lb

Valve size	C	B	E	G	F _{min.}	ØH	Weight
------------	---	---	---	---	-------------------	----	--------

CHV-X Straightway

CHV-X 80	mm	206	204	48	216	133	129	9.3 kg
CHV-X (3)	in.	8.11	8.03	1.89	8.50	5.24	5.08	20.4 lb
CHV-X 100	mm	256	248	62	264	163	156	14.6 kg
CHV-X (4)	in.	10.08	9.76	2.44	10.39	6.43	6.14	32.29 lb
CHV-X 125	mm	314	302	74	322	190	193	32.5 kg
CHV-X (5)	in.	12.36	11.89	2.91	12.68	7.48	7.60	71.65 lb

Specified weights are approximate values only.

Data sheet | Check & stop valve, type SCA-X - Check valve, type CHV-X

Ordering complete valves

How to order

The table below is used to identify the valve required.

For further information please contact your local Danfoss Sales Company.

Please note that the type codes only serve to identify the valves, some of which may not form part of the standard product range.

Valve type	SCA-X CHV-X	Check & stop valve Check Valve		
(valve size measured on the connection diameter)	15	DN 15	A x	SOC x
	20	DN 20	x	x
	25	DN 25	x	x
	32	DN 32	x	x
	40	DN 40	x	x
	50	DN 50	x	x
	65	DN 65	x	
	80	DN 80	x	
	100	DN 100	x	
	125	DN 125	x	
	Connections	A	Welding branches: ANSI B 31.5 schedule 80 DN 15 - 40 (½ - 1½ in.)	
SOC		Welding branches: ANSI B 31.5 schedule 40 DN 50 - 125 (2 - 5 in.) Socket weld: ANSI B 16.11		
Valve housing	ANG	Angle flow		
	STR	Straight flow		

Important!

Where products need to be certified according to specific certification societies, or where higher pressures are required, the relevant information should be included at the time of order.

Angleway

SCA-X Butt-weld ANSI (B 36.10 Schedule 80)

Size		Type	Code No.
mm	in.		
15	½	SCA-X 15 A ANG	148B5209
20	¾	SCA-X 20 A ANG	148B5309
25	1	SCA-X 25 A ANG	148B5409
32	1¼	SCA-X 32 A ANG	148B5509
40	1½	SCA-X 40 A ANG	148B5609

Angleway

CHV-X Butt-weld ANSI (B 36.10 Schedule 80)

Size		Type	Code No.
mm	in.		
15	½	CHV-X 15 A ANG	148B5237
20	¾	CHV-X 20 A ANG	148B5337
25	1	CHV-X 25 A ANG	148B5437
32	1¼	CHV-X 32 A ANG	148B5537
40	1½	CHV-X 40 A ANG	148B5637

SCA-X Butt-weld ANSI (B 36.10 Schedule 40)

Size		Type	Code No.
mm	in.		
50	2	SCA-X 50 A ANG	148B5703
65	2½	SCA-X 65 A ANG	148B5802
80	3	SCA-X 80 A ANG	148B5903
100	4	SCA-X 100 A ANG	148B6004
125	5	SCA-X 125 A ANG	148B6103

CHV-X Butt-weld ANSI (B 36.10 Schedule 40)

Size		Type	Code No.
mm	in.		
50	2	CHV-X 50 A ANG	148B5737
65	2½	CHV-X 65 A ANG	148B5837
80	3	CHV-X 80 A ANG	148B5937
100	4	CHV-X 100 A ANG	148B6037
125	5	CHV-X 125 A ANG	148B6137

SCA-X Socket welding ANSI (B 16.11)

Size		Type	Code No.
mm	in.		
50	2	SCA-X 50 SOC ANG	148B5704

CHV-X Socket welding ANSI (B 16.11)

Size		Type	Code No.
mm	in.		
32	1¼	CHV 32 SOC ANG	148B5539
50	2	CHV 50 SOC ANG	148B5740

ANG = Angleway

Ordering complete valves
(continued)

Straightway

CHV-X Butt-weld ANSI (B 36.10 Schedule 80)

Size		Type	Code No.
mm	in.		
15	½	CHV-X 15 A STR	148B6582
20	¾	CHV-X 20 A STR	148B6584
25	1	CHV-X 25 A STR	148B6586
32	1¼	CHV-X 32 A STR	148B6588
40	1½	CHV-X 40 A STR	148B6590

CHV-X Butt-weld ANSI (B 36.10 Schedule 40)

Size		Type	Code No.
mm	in.		
50	2	CHV-X 50 A STR	148B6592
65	2½	CHV-X 65 A STR	148B6594
80	3	CHV-X 80 A STR	148B6596
100	4	CHV-X 100 A STR	148B6598
125	5	CHV-X 125 A STR	148B6600

CHV-X Socket welding ANSI (B 16.11)

Size		Type	Code No.
mm	in.		
15	½	CHV-X 15 SOC STR	148B6601
20	¾	CHV-X 20 SOC STR	148B6602
25	1	CHV-X 25 SOC STR	148B6603
32	1¼	CHV-X 32 SOC STR	148B6604
40	1½	CHV-X 40 SOC STR	148B6605
50	2	CHV-X 50 SOC STR	148B6606

STR = Straightway

Ordering SVA-X from the parts programme

Example
(select from
table 1 and 2)

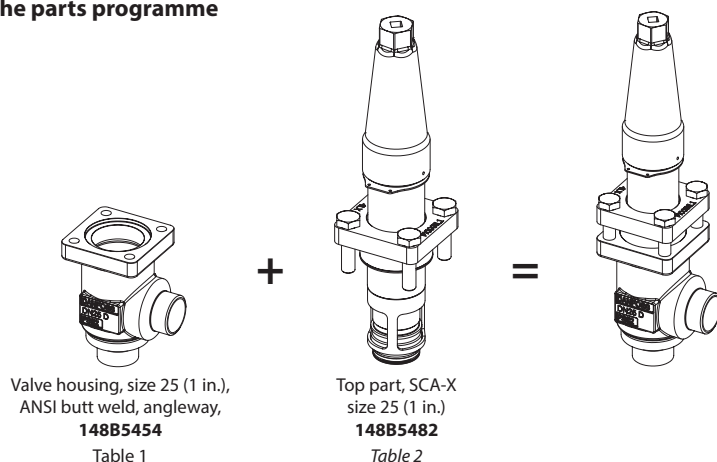
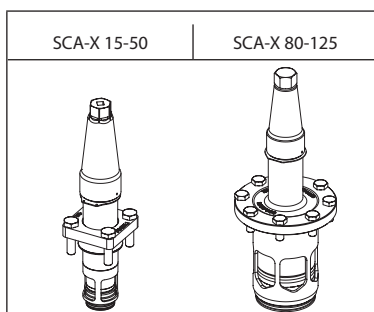


Table 1
SVL valve housings
w/different
connections

Sizes [DN]		DN 15-65 mm (½ - 2½ in.)		DN 80-125 mm (3 - 5 in.)			
		ANSI-Butt weld		SOC		FPT	
mm	in.	ANG	STR	ANG	STR	ANG	STR
15	½	148B5254	148B5255	148B5256	148B5257	148B5258	148B5259
20	¾	148B5354	148B5355	148B5356	148B5357	148B5358	148B5359
25	1	148B5454	148B5455	148B5456	148B5457	148B5458	148B5459
32	1¼	148B5578	148B5579	148B5580	148B5581	148B5582	148B5583
40	1½	148B5654	148B5655	148B5656	148B5657		
50	2	148B5743	148B5744	148B5745	148B5746		
65	2½	148B5818	148B5819				
80	3	148B5914	148B5915				
100	4	148B6016	148B6017				
125	5	148B6114	148B6115				

Table 2
SCA-X complete top part
including gaskets and
bolts



Sizes [DN]		Complete top part
mm	in.	SCA-X
15	½	148B5282
20	¾	
25	1	148B5482
32	1¼	
40	1½	
50	2	148B5735
65	2½	148B5825
80	3	148B5918
100	4	148B6019
125	5	148B6118

Ordering CHV-X from the parts programme

Example
(select from
table 1 and 2)

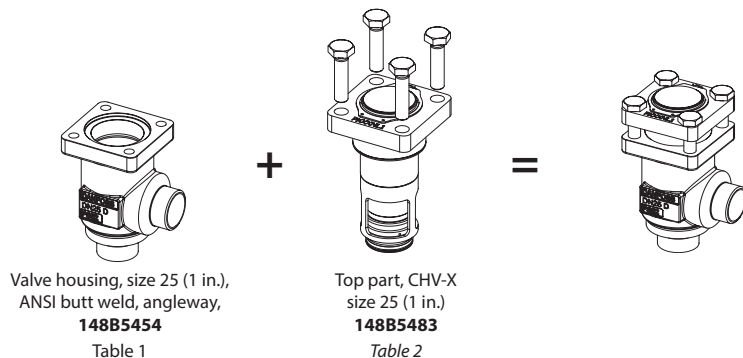
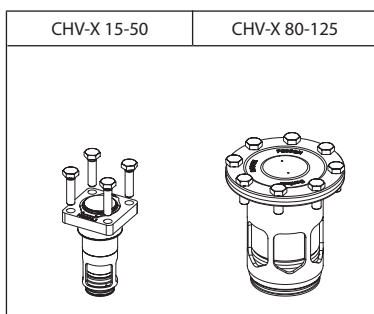


Table 1
SVL valve housings
w/different
connections

Sizes [DN]		DN 15-65 mm (½ - 2½ in.)				DN 80-125 mm (3 - 5 in.)			
		ANSI-Butt weld		Valve Housing SVL		SOC		FPT	
mm	in.	ANG	STR	ANG	STR	ANG	STR	ANG	STR
15	½	148B5254	148B5255	148B5256	148B5257	148B5258	148B5259		
20	¾	148B5354	148B5355	148B5356	148B5357	148B5358	148B5359		
25	1	148B5454	148B5455	148B5456	148B5457	148B5458	148B5459		
32	1¼	148B5578	148B5579	148B5580	148B5581	148B5582	148B5583		
40	1½	148B5654	148B5655	148B5656	148B5657				
50	2	148B5743	148B5744	148B5745	148B5746				
65	2½	148B5818	148B5819						
80	3	148B5914	148B5915						
100	4	148B6016	148B6017						
125	5	148B6114	148B6115						

Table 2
CHV-X complete top part
including gaskets and
bolts



Sizes [DN]		Complete top part
mm	in.	CHV-X
15	½	148B5283
20	¾	
25	1	148B5483
32	1¼	
40	1½	
50	2	148B5747
65	2½	148B5827
80	3	148B5919
100	4	148B6022
125	5	148B6119

ENGINEERING
TOMORROW



Danfoss can accept no responsibility for possible errors in catalogues, brochures and other printed material. Danfoss reserves the right to alter its products without notice. This also applies to products already on order provided that such alterations can be made without subsequential changes being necessary in specifications already agreed. All trademarks in this material are property of the respective companies. Danfoss and the Danfoss logotype are trademarks of Danfoss A/S. All rights reserved.