

Data sheet

Shut-off valves

Types SVA-DL and SVA-DH 250-300



SVA-DL and SVA-DH are angleway shut-off valves designed to meet all industrial refrigeration application requirements.

SVA-DL (Delta pressure Low) is designed with a restriction in the opening function. High differential pressure can be applied from the side port and reduced pressure can be applied from bottom port. SVA-DL is a two-step valve for pressure relief.

SVA-DH (Delta pressure High) is designed without restriction in the opening function. As a result of its balanced design this valve is able to open at all differential pressures with limited torque.

The angleway shut-off valves are carefully designed to give favourable flow conditions. Easy to dismantle for inspection and repair.

Both SVA-DL & DH shut-off valves have internal backseating enabling the spindle seal to be replaced with the valve still under pressure.

The valves are designed to give favourable flow characteristics and are easy to dismantle for servicing. The valve cone is designed to ensure perfect closing.

Features

- Applicable to HC, HCFC, HFC, R717 (Ammonia) and R744 (CO₂)
- Optional accessories:
 - Heavy duty industrial handwheel for frequent operation
 - Vented cap for infrequent operation
- Available in angleway version with extended bonnet for insulated systems
- The valve caps can be wire-sealed, to prevent operation by unauthorised persons.
- Internal PTFE backseating
- The bonnet is suitable for installation in insulated low temperature applications.
- The housing and bonnet are made from low temperature steel in accordance with the requirements of the Pressure Equipment Directive and other international classification authorities
- Classification: DNV, CRN, BV, EAC etc. To get an updated list of certification on the products please contact your local Danfoss Sales Company.

Design

Connections

Available with the following connections:
 Butt-weld DIN 2448
 Butt-weld ANSI B 36.10
 - DN250: Schedule 40
 - DN300: STD

Housing and bonnet

Made from special, cold-resistant steel approved for low temperature operations.

Bolts

Stainless steel, Quality A2-70

Valve cone assembly

The valve cone assembly can be turned on the spindle, thus there is no friction between cone and seat when the valve is opened and closed. A Teflon tightening ring provides perfect sealing at a minimum closing torque.

Spindle

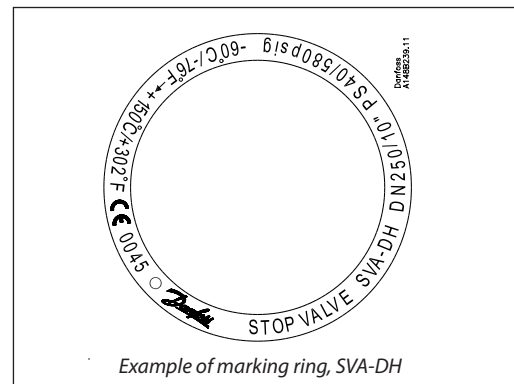
Made of polished stainless steel, ideal for O-ring sealing.

Packing gland

The packing gland comprises a spring loaded seal packing which ensures perfect tightness in the range: -60/+150°C (-76/+302°F). Furthermore, the packing glands incorporate a scraper ring to prevent the penetration of dirt and ice.

Marking

Each valve type is clearly marked with type, size and performance range.



Example of marking ring, SVA-DH

Pressure Equipment Directive (PED)

SVA-DL and DH valves are approved and CE marked in accordance with the Pressure Equipment Directive - 97/23/EC.

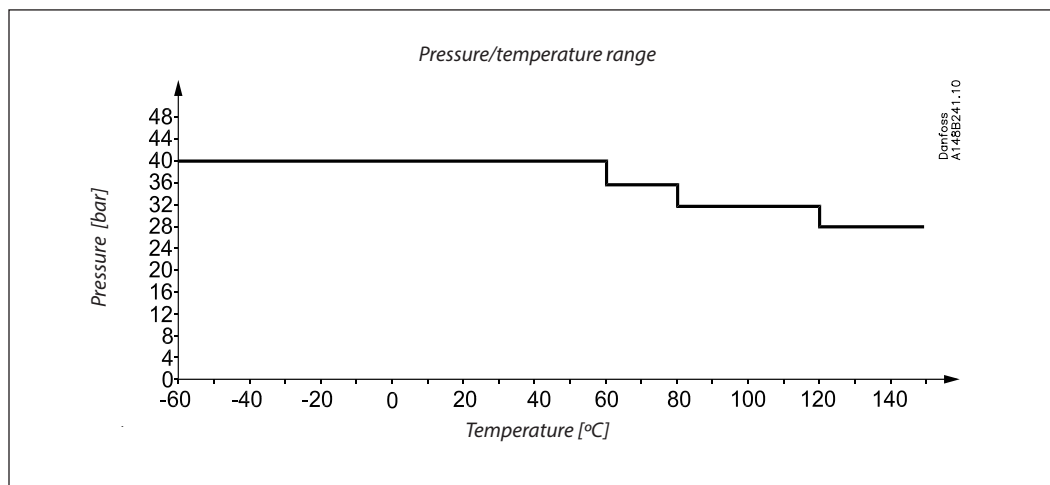
For further details / restrictions - see Installation Instruction.



SVA-DL & DH valves		
Nominal bore	DN 250 mm (10 in.)	DN 300 mm (12 in.)
Classified for	Fluid group I	
Category	III	IV

Technical data

<p><i>Refrigerants</i> Applicable to HC, HCFC, HFC, R717 (Ammonia) and R744 (CO₂) For further information please see installation instruction for SVA-DL and SVA-DH.</p> <p>Temperature range SVA-DL and SVA-DH -60/+150°C (-76/+302°F)</p> <p><i>Pressure range</i> SVA-DL and SVA-DH 40 bar g (580 psi g) at -60°C to +60°C</p>	<p>(-76°F to +140°F) 36 bar g (522 psi g) at +60°C to +80°C (+140°F to +176°F) 32 bar g (464 psi g) at +80°C to +120°C (+176°F to +248°F) 28 bar g (406 psi g) at +120°C to +150°C (+248°F to +302°F)</p>
--	---



Function

SVA-DL

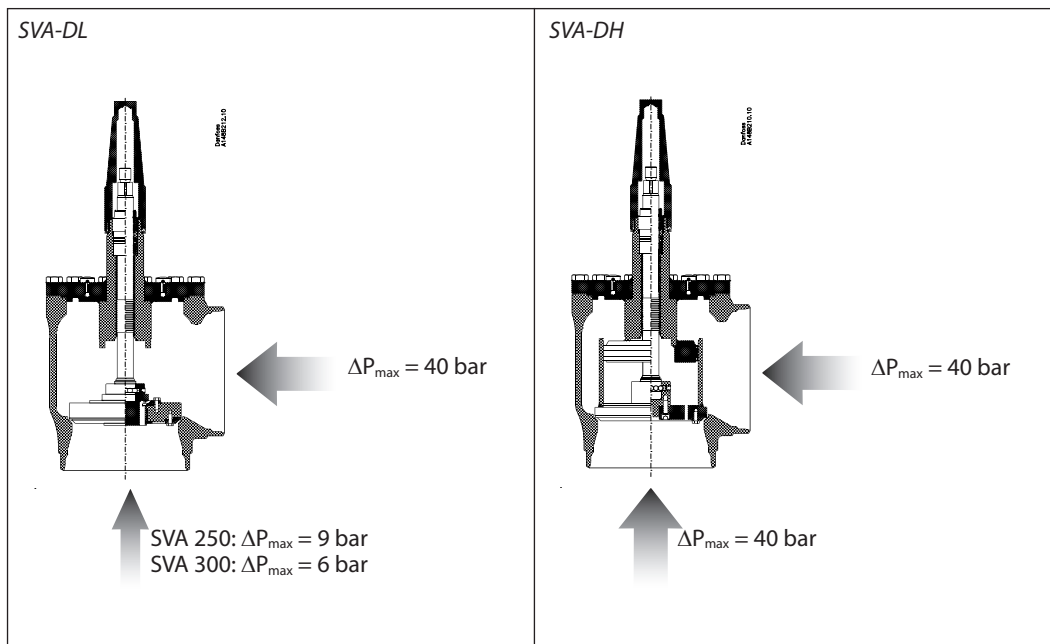
The SVA-DL shut-off valve is designed with a restriction in the flow direction (differential pressure). To ensure the most favourable valve performance the flow must be directed from the side port towards the valve cone. Operation of the valve with flow in this direction is made possible by the two-step opening valve cone as illustrated below.

The sketches below give the maximum pressures at which the valve can be operated manually and tightness can be achieved.

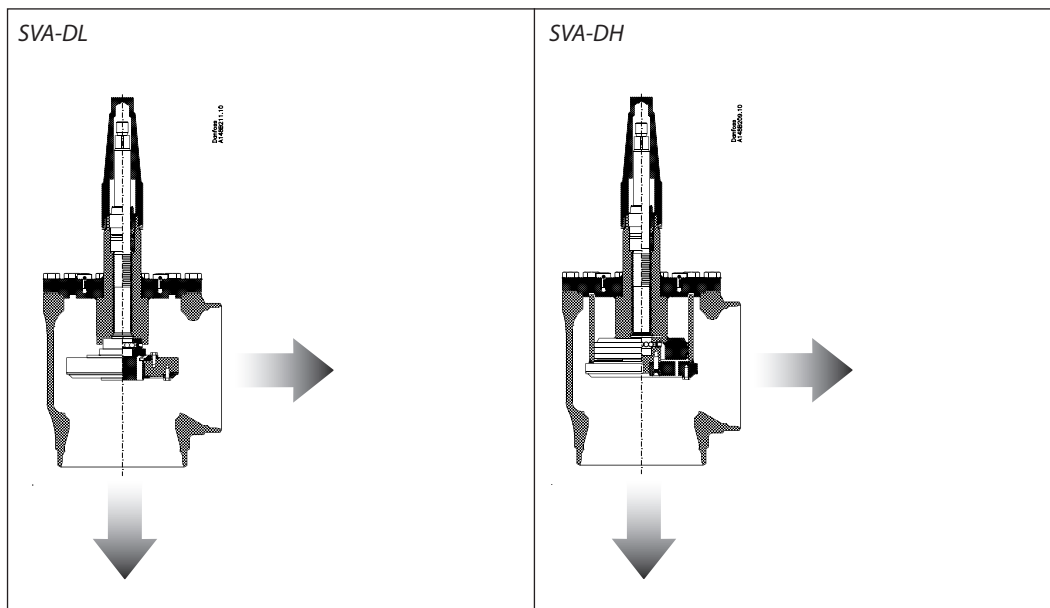
SVA-DH

The SVA-DH shut-off valve is designed without restrictions in either flow direction or differential pressure. Due to the balanced valve cone design the torque required to operate the valve is minimized and the valve can be opened and closed against high pressure with flow in any direction.

Pressure

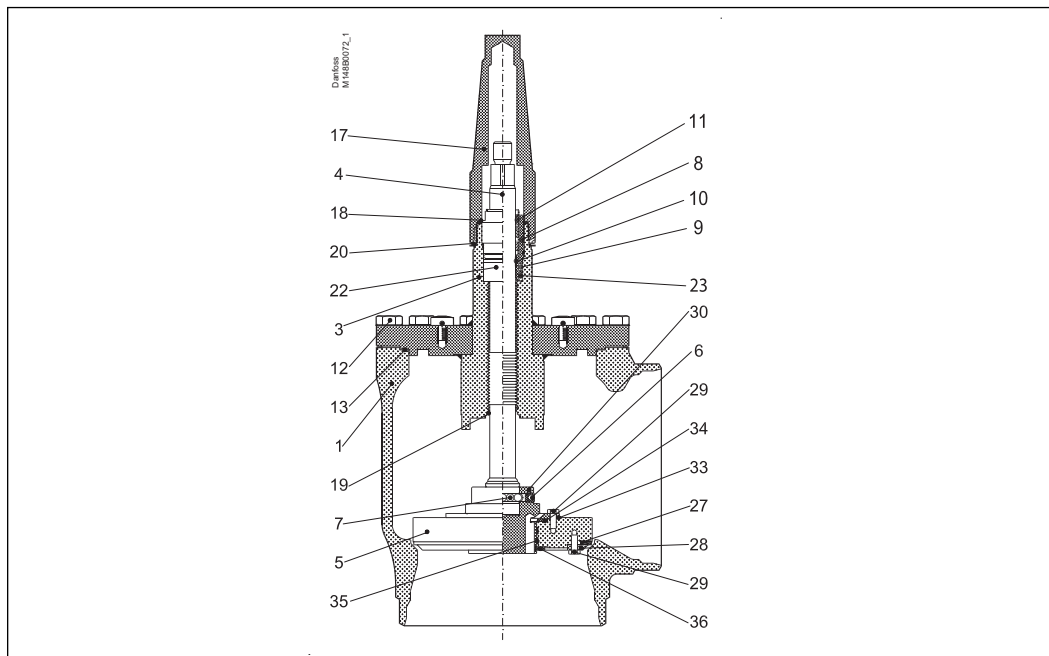


Flow



Material specification

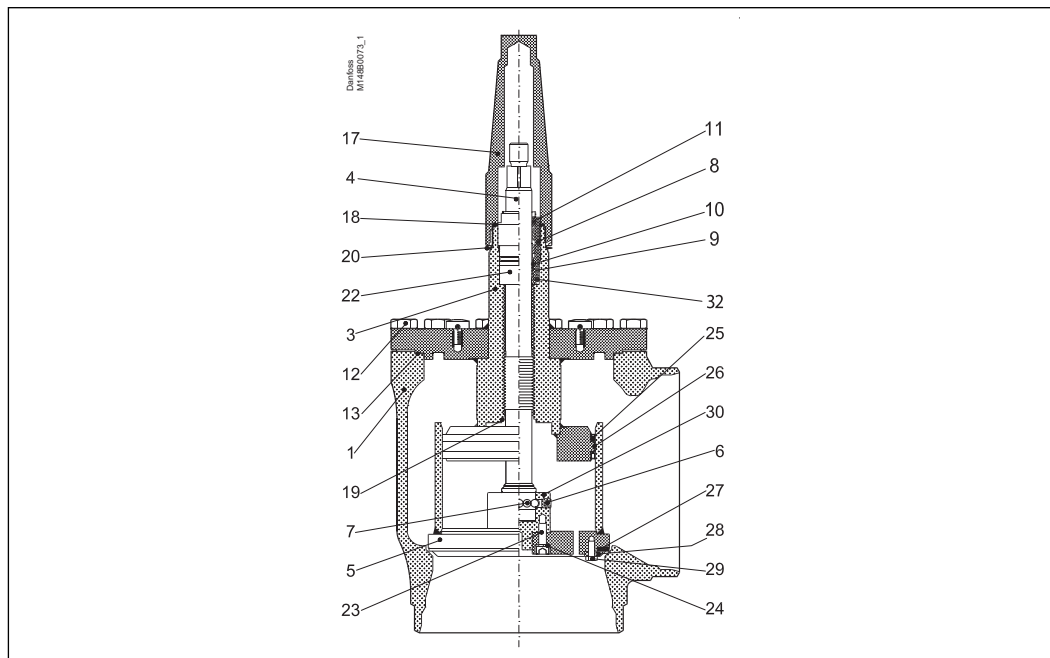
SVA-DL 250 - 300



No.	Part	Material	EN	ASTM
1	Housing	Steel	G20Mn5 QT, EN 10213-3	LCC, A352
3	Bonnet	Steel	P275NL1, EN 10028-3 G20Mn5QT EN 10213-3	Grade A, A662 LCC, A352
4	Spindle	Steel	X5CrNi18-10, EN10088	AISI 304
5	Cone	Steel	P275NL1, EN 10028-3	Grade A, A662
6	Set screw	Steel	Quality 8.8	Grade 5
7	Balls	Stainless steel		
8	Packing Gland	Stainless steel	X8CrNiS18-9 10088	AISI 303
9	O-ring	Cloroprene (Neoprene)		
10	Spring loaded Teflon ring	PTFE		
11	O-ring	Cloroprene (Neoprene)		
12	Bolts	Stainless steel	A2-70	Type 308
13	Gasket	Fiber, Non-asbestos		
14	Handwheel	Steel		
15	Washer	Stainless steel		
16	Lock nut	Stainless steel+nylon		
17	Cap	Aluminium	AlMgSi1	
18	Gasket for cap	Nylon (PA 6)		
19	Soft backseat	Teflon (PTFE)		
20	Identification ring	Stainless steel		
22	Guide for spindle	Steel	11SMn30	Grade1213, A29
23	O-ring	PTFE/FKM		
27	Gasket	Teflon (PTFE)		
28	Front for valve cone	Steel	S235JRG2, EN10025	Grade C, A283
29	Bolts	Steel	Quality 8.8	Grade 5
30	Insert, valve cone	Spheroidal graphite cast iron	EN-GJS-250	Class 40B
31	Lifting eye bolts	Steel		
33	Backing for valve cone	Steel	S235JRG2, EN10025	Grade C, A283
34	Gasket	Teflon (PTFE)		
35	Wear ring	Teflon (PTFE)		
36	Retaining ring	Spring steel		

Material specification

SVA-DH 250 - 300

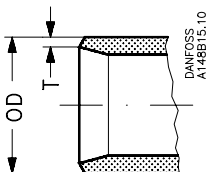


No.	Part	Material	EN	ASTM
1	Housing	Steel	G20Mn5 QT, EN 10213-3	LCC, A352
3	Bonnet	Steel	P275NL1, EN 10028-3 G20Mn5 QT, EN 10213-3	Grade A, A662 LCC, A352
4	Spindle	Steel	X5CrNi18-10 DIN 17440	
5	Cone	Steel	P275NL1, EN 10028-3	Grade A, A662
6	Set screw	Steel	Quality 8.8	Grade 5
7	Balls	Stainless steel		
8	Packing Gland	Stainless steel	X8CrNiS18-9 10088	AISI 303
9	O-ring	Cloroprene (Neoprene)		
10	Spring loaded Teflon ring	PTFE		
11	O-ring	Cloroprene (Neoprene)		
12	Bolts	Stainless steel	A2-70	Type 308
13	Gasket	Fiber, Non-asbestos		
14	Handwheel	Steel		
15	Washer	Stainless steel		
16	Lock nut	Stainless steel+nylon		
17	Cap	Aluminium	AlMgSi1	
18	Gasket for cap	Nylon (PA 6)		
19	Soft backseat	Teflon (PTFE)		
20	Identification ring	Stainless steel		
22	Guide for spindle	Steel	11SMn30	Grade 1213, A29
23	Bolts	Steel	Quality 8.8	Grade 5
24	Washer	Steel		
25	U-sleeve sealing	Teflon (PTFE) +Stainless steel		
26	Wear ring	Teflon (PTFE)		
27	Gasket	Teflon (PTFE)		
28	Front for valve cone	Steel	S235JRG2, EN10025	Grade C, A283
29	Bolts	Steel	Quality 8.8	Grade 5
30	Insert, valve cone	Spheroidal graphite cast iron	EN-GJS-250	Class 40B
31	Lifting eye bolts	Steel		
32	O-ring	PTFE/FKM		

Document type | Product name, Product type - Myriad Pro Semibold 9/12pt, vertical justification: Center

Connections

DIN



Size mm	Size in.	OD mm	T mm	OD in.	T in.
---------	----------	-------	------	--------	-------

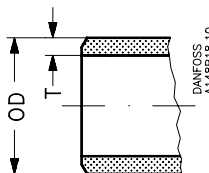
Welding DIN (2448)

250	10	273	6.3	10.75	0.25
300	12	323.9	7.1	12.75	0.28

Type	K_v m ³ /h	C_v Usgal/min
------	----------------------------	--------------------

SVA-DH	1405	1630
SVA-DL	1610	1868
SVA-DH	1870	2169
SVA-DL	2082	2415

ANSI



Size mm	Size in.	OD mm	T mm	OD in.	T in.
---------	----------	-------	------	--------	-------

Welding ANSI (B 36.10)

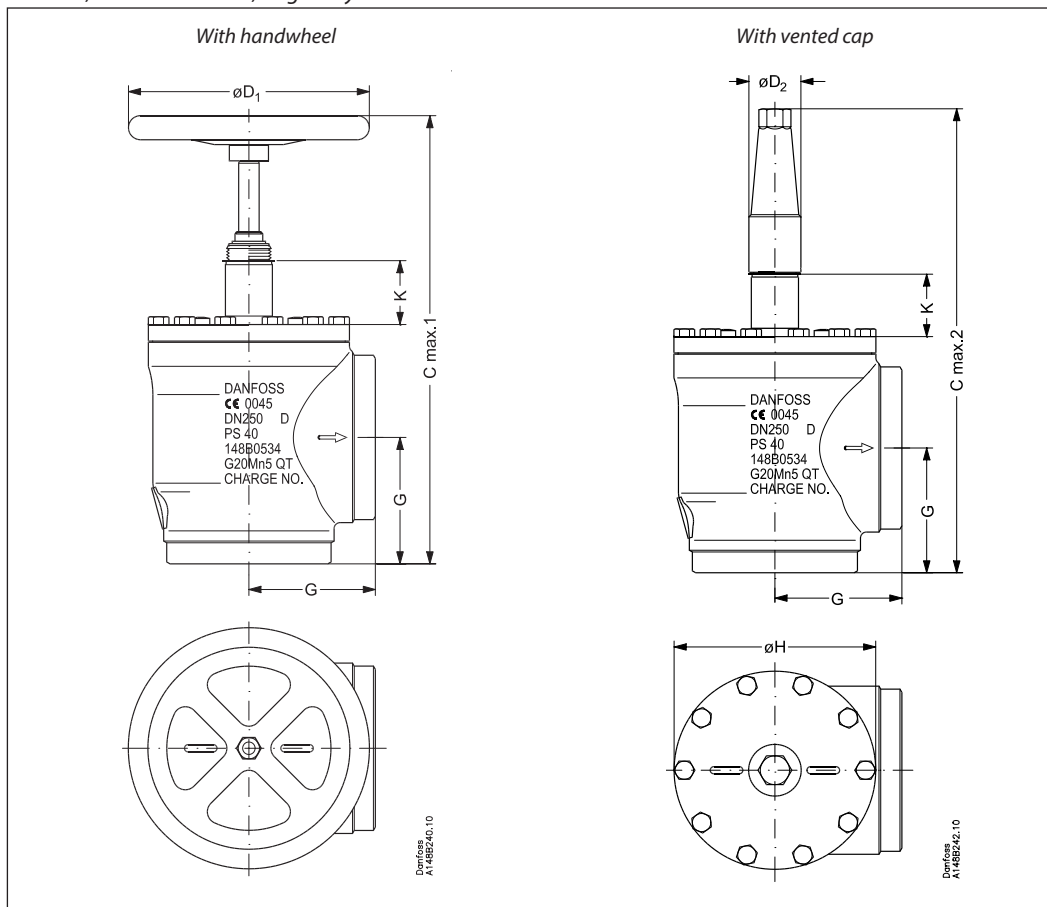
250	10	273	9.3	10.75	0.25
300	12	323.9	9.5	12.75	0.28

Type	K_v m ³ /h	C_v Usgal/min
------	----------------------------	--------------------

SVA-DH	1405	1630
SVA-DL	1610	1868
SVA-DH	1870	2169
SVA-DL	2082	2415

Dimensions and weights

SVA-DH, SVA-DL 250 -300, angleway version



Valve size		K	Cmax. 1	Cmax. 2	G	øD ₁	øD ₂	øH	Weight
SVA-DL / SVA-DH									
SVA 250	mm	102	745	782	210	400	86	334	130 kg
SVA (10)	in.	4	29.33	30.79	8.27	15.75	3.39	13.14	287 lb
SVA 300	mm	102	852	842	240	500	86	384	190 kg
SVA (12)	in.	4	33.54	33.14	9.45	19.69	3.39	15.12	419 lb

Specified weights are approximate values only

Ordering

The table below can be used to identify the valve required.

Please note that the type codes only serve to identify the valves, some of which may not form part of the standard product range.

For further information please contact your local Danfoss Sales Company.

Type codes

Valve type	SVA-DL SVA-DH	Shut-off valve Shut-off valve	(Δp Low) (Δp High)	
Nominal size in mm			Available connections	
			D	A
(Valve size measured on the connection diameter)	250 300	DN250 DN300	X X	X X
Connections	D A	Butt weld connection: DIN 2448 Butt weld connections: ANSI B 36.10 DN250: Schedule 40 DN300: STD		
Other equipment	CAP H-WHEEL	Aluminum cap Steel handweel		

Important!

Where products need to be certified according to specific certification societies or where higher pressures are required, the relevant information should be included at the time of ordering.

Code numbers

	Size		Type	Code number
	mm	in.		
	250	10	SVA-DL 250 D CAP	148B3760
	250	10	SVA-DL 250 D H-HEEL	148B3761
	250	10	SVA-DL 250 A CAP	148B3762
	250	10	SVA-DL 250 A H-WHEEL	148B3763
	250	10	SVA-DH 250 D CAP	148B3764
	250	10	SVA-DH 250 D H-WHEEL	148B3765
	250	10	SVA-DH 250 A CAP	148B3766
	250	10	SVA-DH 250 A H-WHEEL	148B3767
	300	12	SVA-DL 300 D CAP	148B3770
	300	12	SVA-DL 300 D H-WHEEL	148B3771
	300	12	SVA-DL 300 A CAP	148B3772
	300	12	SVA-DL 300 A H-WHEEL	148B3773
	300	12	SVA-DH 300 D CAP	148B3774
	300	12	SVA-DH 300 D H-WHEEL	148B3775
	300	12	SVA-DH 300 A CAP	148B3776
	300	12	SVA-DH 300 A H-WHEEL	148B3777

A = ANSI butt-weld
D = DIN butt-weld

H-WHEEL: Handwheel
CAP: Vented cap

Danfoss can accept no responsibility for possible errors in catalogues, brochures and other printed material. Danfoss reserves the right to alter its products without notice. This also applies to products already on order provided that such alterations can be made without consequential changes being necessary in specifications already agreed. All trademarks in this material are property of the respective companies. Danfoss and the Danfoss logotype are trademarks of Danfoss A/S. All rights reserved.